

SET-UP SHEET

X4F'25 SET-UP SHEET VER.1 ©XRAY

XRAY X4F'25

RACE: **Basic For ETS Asphalt**

TRACK: _____

NAME: **XRAY Factory** DATE: _____

TRACK TEMP.	QUAL. POS.	FINAL POS.	BEST LAP TIME	LAPS	TIME
			/sec	/	

TRACK

TRACK SURFACE: CARPET ASPHALT

TRACK LAYOUT: TECHNICAL MIXED FAST

TRACTION: LOW MEDIUM HIGH

FRONT TRANSMISSION REAR

GEAR DIFFERENTIAL - OIL: **200K /cst**

PINION / T	SPUR GEAR / T	FINAL DRIVE RATIO
38	90	4.5

FRONT	SHOCKS	REAR
2.5-2.8	XRAY SPRINGS	2.6
350	OIL /cst	350
0	REBOUND %	0

4 HOLES 1.1mm 1.2mm PSS

4 HOLES 1.1mm 1.2mm PSS

SHOCK LENGTH: **8.5** /mm

1.3 THICKNESS/mm **ANTI-ROLL BAR** THICKNESS/mm **1.6**

TIRES ADDITIVE

ADDITIVE TIMING

WIPE OFF TIME

TIRE WARMERS

Timing: _____ Temp.: _____

Timing: _____ Temp.: _____

FRONT LEFT FRONT RIGHT REAR LEFT REAR RIGHT

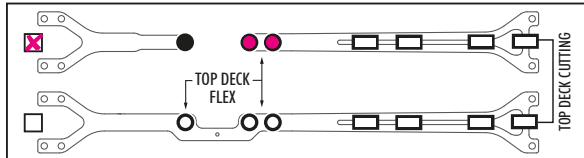
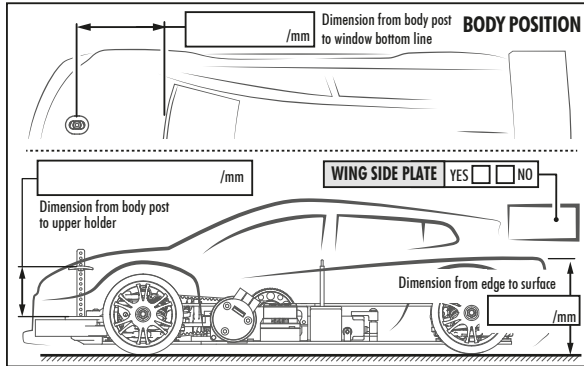
TREATED AREA

TOTAL WEIGHT: _____ /g WEIGHT BALANCE: FRONT _____ % REAR _____ %

MOTOR: _____ TIMING: _____ RPM LIMIT: _____

ESC: _____ BATTERIES: _____

BODY: _____ WING: _____



COMMENTS

