

SET-UP SHEET

X4F'25 SET-UP SHEET VER.1 ©XRAY

XRAY X4F'25

RACE: **Basic For Low Grip - CARPET**

TRACK: _____

NAME: **XRAY Factory** DATE: _____

TRACK TEMP.	QUAL. POS.	FINAL POS.	BEST LAP TIME	LAPS	TIME
			/sec	/	

TRACK

TRACK SURFACE: CARPET ASPHALT

TRACK LAYOUT: TECHNICAL MIXED FAST

TRACTION: LOW MEDIUM HIGH

FRONT TRANSMISSION REAR

GEAR DIFFERENTIAL - OIL: **100K** /cst

PINION / T: _____ SPUR GEAR / T: _____ FINAL DRIVE RATIO: _____

FRONT	SHOCKS	REAR
2.5-2.8	XRAY SPRINGS	2.7
350	OIL /cst	350
0	REBOUND %	0

4 HOLES 1.1mm 1.2mm PSS

4 HOLES 1.1mm 1.2mm PSS

SHOCK LENGTH: **8.5** /mm

1.3 THICKNESS/mm **ANTI-ROLL BAR** THICKNESS/mm **1.2**

TIRES ADDITIVE ADDITIVE TIMING WIPE OFF TIME TIRE WARMERS

Timing: _____ Temp.: _____

FRONT LEFT FRONT RIGHT REAR LEFT REAR RIGHT

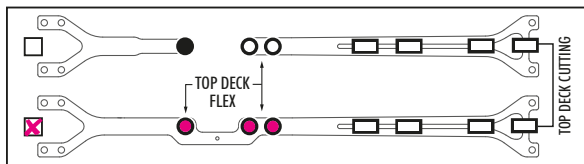
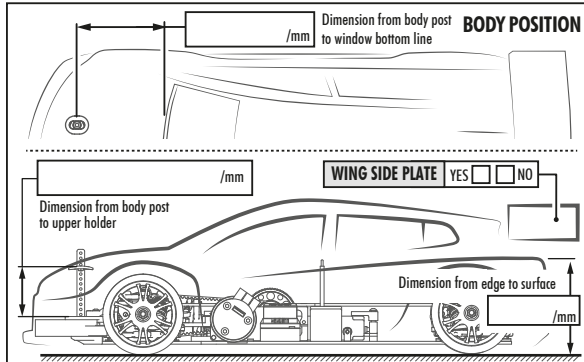
TREATED AREA

TOTAL WEIGHT: _____ /g WEIGHT BALANCE: FRONT **70** % REAR **30** %

MOTOR TIMING RPM LIMIT

ESC BATTERIES

BODY WING



COMMENTS

