

SET-UP SHEET

X4'24 SET-UP SHEET VER.1 ©XRAY

XRAY X4'24

| | | | | |
|---------------|----------------|--------------|------|------|
| RACE | | | | |
| TRACK | | | | |
| NAME | | DATE | | |
| QUAL POSITION | FINAL POSITION | BEST LAPTIME | LAPS | TIME |
| | | /sec | | / |

| TRACK | | |
|---------------|------------------------------------|---|
| TRACK SURFACE | <input type="checkbox"/> CARPET | <input type="checkbox"/> ASPHALT |
| TRACK LAYOUT | <input type="checkbox"/> TECHNICAL | <input type="checkbox"/> MIXED <input type="checkbox"/> FAST |
| TRACTION | <input type="checkbox"/> LOW | <input type="checkbox"/> MEDIUM <input type="checkbox"/> HIGH |

| FRONT | TRANSMISSION | REAR |
|---------------|---|-------------------|
| GEAR DIFF OIL | <input type="checkbox"/> FRONT SOLID AXLE | GEAR DIFF OIL |
| PINION | SPUR GEAR | FINAL DRIVE RATIO |

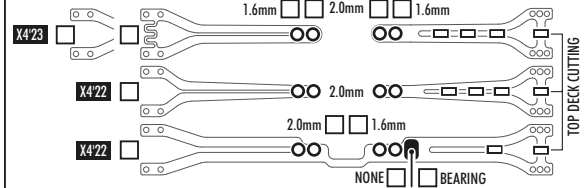
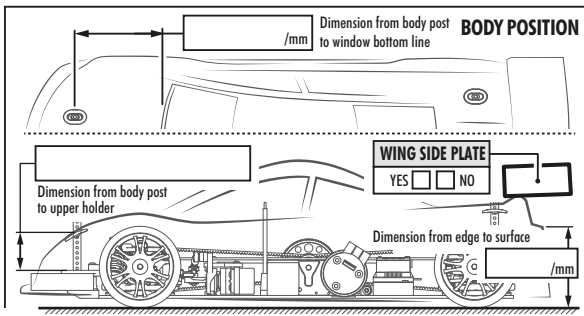
| FRONT | SHOCKS | REAR |
|---|---------------|---|
| XRAY SPRINGS | | |
| OIL /Cst | | |
| REBOUND % | | |
| <input type="checkbox"/> YES <input type="checkbox"/> NO | FOAM INSERTS | <input type="checkbox"/> YES <input type="checkbox"/> NO |
| <input type="checkbox"/> 4 HOLES <input type="checkbox"/> PSS | 1.1mm / 1.2mm | <input type="checkbox"/> 4 HOLES <input type="checkbox"/> PSS |
| SHOCK LENGTH | | SHOCK LENGTH |

| | | |
|--------------|----------------------|--------------|
| THICKNESS/mm | ANTI-ROLL BAR | THICKNESS/mm |
|--------------|----------------------|--------------|

| | | | |
|-----------------|-------------|----------------|------------|
| TIRES | | TREATED AREA | |
| ADDITIVE | | TIRE WARMERS | |
| ADDITIVE TIMING | | Timing: Temp.: | |
| WIPE OFF TIME | | Timing: Temp.: | |
| FRONT LEFT | FRONT RIGHT | REAR LEFT | REAR RIGHT |

| | | | |
|--------------|----------------|---------|--------|
| TOTAL WEIGHT | WEIGHT BALANCE | FRONT % | REAR % |
|--------------|----------------|---------|--------|

| | |
|-------|-----------|
| MOTOR | TIMING |
| ESC | BATTERIES |
| BODY | WING |



| COMMENTS |
|----------|
| |

