

1/10 ELECTRIC OFF-ROAD BUGGY 2WD

# XRAY XB2



**INSTRUCTION MANUAL**  
**FOR XB2C'25 EDITION**

## BEFORE YOU START

This is a high-competition, high-quality RC car intended for persons aged 16 years and older with previous experience building and operating RC model racing cars. This is NOT a toy; it is a precision racing model. This model racing car is NOT intended for use by beginners, inexperienced customers, or by children without direct supervision of a responsible, knowledgeable adult. If you DO NOT fulfill these requirements, please return the kit in unused and unassembled form back to the shop where you have purchased it.

Before building and operating your XRAY, **YOU MUST** read through all of the operating instructions and instruction manual and fully understand them to get the maximum enjoyment and prevent unnecessary damage.

## CUSTOMER SUPPORT

We have made every effort to make these instructions as easy to understand as possible. However, if you have any difficulties, problems, or questions, please DO NOT hesitate to contact the XRAY support team at [info@teamxray.com](mailto:info@teamxray.com). Also, please visit our Web site at [www.teamxray.com](http://www.teamxray.com) to find the latest updates, set-up information, option parts, and many other goodies. We pride ourselves on taking excellent care of our customers.

You can join thousands of XRAY fans and enthusiasts in our online community at: [www.teamxray.com](http://www.teamxray.com)

Read carefully and fully understand the instructions before beginning assembly.

Make sure you review this entire manual, download and use set-up book from the web, and examine all details carefully. If for some reason you decide this is NOT what you wanted or expected, **DO NOT continue any further**. Your hobby dealer can NOT accept your kit for return or exchange after it has been partially or fully assembled.

Contents of the box may differ from pictures. In line with our policy of continuous product development, the exact specifications of the kit may vary without prior notice.

### XRAY Europe

K Vystavisku 6992  
91101 Trenčín  
Slovakia, EUROPE  
Phone: 421-32-7401100  
Fax: 421-32-7401109  
E-mail: [info@teamxray.com](mailto:info@teamxray.com)

### XRAY USA

RC America, 2030 Century Center Blvd #15 Irving,  
TX 75062  
USA  
Phone: (214) 744-2400  
Fax: (214) 744-2401  
E-mail: [xray@rcamerica.com](mailto:xray@rcamerica.com)

## FAILURE TO FOLLOW THESE INSTRUCTIONS WILL BE CONSIDERED AS ABUSE AND/OR NEGLIGENCE.

## SAFETY PRECAUTIONS

Contains:

LEAD (CAS 7439-92-1) ANTIMONY (CAS 7440-36-0)

**WARNING:** This product contains a chemical known to the state of California to cause cancer and birth defects or other reproductive harm.

**CAUTION: CANCER HAZARD**

Contains lead, a listed carcinogen. Lead is harmful if ingested. Wash thoroughly after using. DO NOT use product while eating, drinking or using tobacco products. May cause chronic effects to gastrointestinal tract, CNS, kidneys, and blood. **MAY CAUSE BIRTH DEFECTS.**

When building, using and/or operating this model always wear protective glasses and gloves.

Take appropriate safety precautions prior to operating this model. You are responsible for this model's assembly and safe operation! Please read the instruction manual before building and operating this model and follow all safety precautions. Always keep the instruction manual at hand for quick reference, even after completing the assembly. Use only genuine and original

authentic XRAY parts for maximum performance. Using any third party parts on this model will void warranty immediately.

Improper operation may cause personal and/or property damage. XRAY and its distributors have no control over damage resulting from shipping, improper construction, or improper usage. XRAY assumes and accepts no responsibility for personal and/or property damages resulting from the use of improper building materials, equipment and operations. By purchasing any item produced by XRAY, the buyer expressly warrants that he/she is in compliance with all applicable federal, state and local laws and regulation regarding the purchase, ownership and use of the item. The buyer expressly agrees to indemnify and hold harmless XRAY for all claims resulting directly or indirectly from the purchase, ownership or use of the product. By the act of assembling or operating this product, the user accepts all resulting liability. If the buyer is NOT prepared to accept this liability, then he/she should return this kit in new, unassembled, and unused condition to the place of purchase.



## IMPORTANT NOTES – GENERAL

- This product is NOT suitable for children under 16 years of age without the direct supervision of a responsible and knowledgeable adult.
- Carefully read all manufacturers warnings and cautions for any parts used in the construction and use of your model.
- Assemble this kit only in places away from the reach of very small children.
- First-time builders and users should seek advice from people who have building experience in order to assemble the model correctly and to allow the model to reach its performance potential.
- Exercise care when using tools and sharp instruments.
- Take care when building, as some parts may have sharp edges.
- Keep small parts out of reach of small children. Children must NOT be allowed to put any parts in their mouth, or pull vinyl bag over their head.
- Read and follow instructions supplied with paints and/or cement, if used (NOT included in kit).
- Immediately after using your model, DO NOT touch equipment on the model such as the motor and speed controller, because they generate high temperatures. You may seriously burn yourself seriously touching them.
- Follow the operating instructions for the radio equipment at all times.
- DO NOT put fingers or any objects inside rotating and moving parts, as this may cause damage or serious injury as your finger, hair, clothes, etc. may get caught.
- Be sure that your operating frequency is clear before turning on or running your model, and never share the same frequency with somebody else at the same time. Ensure that others are aware of the operating frequency you are using and when you are using it.
- Use a transmitter designed for ground use with RC cars. Make sure that no one else is using the same frequency as yours in your operating area. Using the same frequency at the same time, whether it is driving, flying or sailing, can cause loss of control of the RC model, resulting in a serious accident.
- Always turn on your transmitter before you turn on the receiver in the car. Always turn off the receiver before turning your transmitter off.
- Keep the wheels of the model off the ground when checking the operation of the radio equipment.
- Disconnect the battery pack before storing your model.
- When learning to operate your model, go to an area that has no obstacles that can damage your model if your model suffers a collision.
- Remove any sand, mud, dirt, grass or water before putting your model away.
- If the model behaves strangely, immediately stop the model, check and clear the problem.
- To prevent any serious personal injury and/or damage to property, be responsible when operating all remote controlled models.
- The model car is NOT intended for use on public places and roads or areas where its operation can conflict with or disrupt pedestrian or vehicular traffic.
- Because the model car is controlled by radio, it is subject to radio interference from many sources that are beyond your control. Since radio interference can cause momentary loss of control, always allow a safety margin in all directions around the model in order to prevent collisions.
- DO NOT use your model:
  - Near real cars, animals, or people that are unaware that an RC car is being driven.
  - In places where children and people gather
  - In residential districts and parks
  - In limited indoor spaces
  - In wet conditions
  - In the street
  - In areas where loud noises can disturb others, such as hospitals and residential areas.
  - At night or anytime your line of sight to the model may be obstructed or impaired in any way.

To prevent any serious personal injury and/or damage to property, please be responsible when operating all remote controlled models.

## IMPORTANT NOTES – ELECTRICAL

- Insulate any exposed electrical wiring (using heat shrink tubing or electrical tape) to prevent dangerous short circuits. Take maximum care in wiring, connecting and insulating cables. Make sure cables are always connected securely. Check connectors for if they become loose. And if so, reconnect them securely. Never use RC models with damaged wires. A damaged wire is extremely dangerous, and can cause short-circuits resulting in fire. Please have wires repaired at your local hobby shop.
- Low battery power will result in loss of control. Loss of control can occur due to a weak battery in either the transmitter or the receiver. Weak running battery may also result in an out of control car if your car's receiver power is supplied by the running battery. Stop operation immediately if the car starts to slow down.
- When NOT using RC model, always disconnect and remove battery.
- DO NOT disassemble battery or cut battery cables. If the running battery short-circuits, approximately 300W of electricity can be discharged, leading to fire or burns. Never disassemble battery or cut battery cables.
- Use a recommended charger for the receiver and transmitter batteries and follow the instructions correctly. Over-charging, incorrect charging, or using inferior chargers can

cause the batteries to become dangerously hot. Recharge battery when necessary. Continual recharging may damage battery and, in the worst case, could build up heat leading to fire. If battery becomes extremely hot during recharging, please ask your local hobby shop for check and/or repair and/or replacement.

- Regularly check the charger for potential hazards such as damage to the cable, plug, casing or other defects. Ensure that any damage is rectified before using the charger again. Modifying the charger may cause short-circuit or overcharging leading to a serious accident. Therefore DO NOT modify the charger.
- Always unplug charger when recharging is finished.
- DO NOT recharge battery while battery is still warm. After use, battery retains heat. Wait until it cools down before charging.
- DO NOT allow any metal part to short circuit the receiver batteries or other electrical/electronic device on the model.
- Immediately stop running if your RC model gets wet as may cause short circuit.
- Please dispose of batteries responsibly. Never put batteries into fire.

## R/C & BUILDING TIPS

- Make sure all fasteners are properly tightened. Check them periodically.
- Make sure that chassis screws DO NOT protrude from the chassis.
- For the best performance, it is very important that great care is taken to ensure the free movement of all parts.
- Clean all ball-bearings so they move very easily and freely.
- Tap or pre-thread the plastic parts when threading screws.
- Self-tapping screws cut threads into the parts when being tightened. DO NOT use excessive force when tightening the self-tapping screws because you may strip out the thread in the plastic. We recommended you stop tightening a screw when you feel some resistance.

- Ask your local hobby shop for any advice.

Please support your local hobby shop. We at XRAY Model Racing Cars support all local hobby dealers. Therefore we ask you, if at all possible, to purchase XRAY products at your hobby dealer and give them your support like we do.

If you have difficulty finding XRAY products, please check out [www.teamxray.com](http://www.teamxray.com) to get advice, or contact us via email at [info@teamxray.com](mailto:info@teamxray.com), or contact the XRAY distributor in your country.

## WARRANTY

XRAY guarantees this model kit to be free from defects in both material and workmanship within 30 days of purchase. The total monetary value under warranty will in no case exceed the cost of the original kit purchased. This warranty DOES NOT cover any components damaged by use or modification or as a result of wear. Part or parts missing from this kit must be reported within 30 days of purchase. No part or parts will be sent under warranty without proof of purchase. Should you find a defective or missing part, contact the local distributor. Service and customer support will be provided through local hobby store where you have purchased the kit, therefore make sure to purchase any XRAY products at your local hobby store. This model racing car is considered to be a high-performance racing vehicle. As such this vehicle will be used in an extreme range of conditions and situations, all which may cause premature wear or failure of any component. XRAY has no control over usage of vehicles once they leave the dealer, therefore XRAY can only offer warranty against all manufacturer's defects in materials, workmanship, and assembly at point of sale and before use. No warranties are expressed or implied that cover damage caused by what is considered normal use, or cover or imply how long any model cars' components or electronic components will last before requiring replacement.

Due to the high performance level of this model car you will need to periodically maintain and replace consumable components. Any and all warranty coverage will NOT cover replacement of any part or component damaged by neglect, abuse, or improper or unreasonable use. This includes but is NOT limited to damage from crashing, chemical and/or water damage, excessive moisture, improper or no maintenance, or user modifications which compromise the

integrity of components. Warranty will NOT cover components that are considered consumable on RC vehicles. XRAY DOES NOT pay nor refund shipping on any component sent to XRAY or its distributors for warranty. XRAY reserves the right to make the final determination of the warranty status of any component or part.

### LIMITATIONS OF LIABILITY.

XRAY makes no other warranties expressed or implied. XRAY shall NOT be liable for any loss, injury or damages, whether direct, indirect, special, incidental, or consequential, arising from the use, misuse, or abuse of this product and/or any product or accessory required to operate this product. In no case shall XRAY's liability exceed the monetary value of this product.

**Take adequate safety precautions prior to operating this model. You are responsible for this model's assembly and safe operation.**

**Disregard of the any of the above cautions may lead to accidents, personal injury, or property damage.**

**XRAY MODEL RACING CARS assumes no responsibility for any injury, damage, or misuse of this product during assembly or operation, nor any addictions that may arise from the use of this product.**

**All rights reserved.**

## QUALITY CERTIFICATE

XRAY MODEL RACING CARS uses only the highest quality materials, the best compounds for molded parts and the most sophisticated manufacturing processes of TQM (Total Quality Management). We guarantee that all parts of a newly-purchased kit are manufactured with the highest regard to quality. However, due to the many factors inherent in model racecar

competition, we cannot guarantee any parts once you start racing the car. Products which have been worn out, abused, neglected or improperly operated will NOT be covered under warranty. We wish you enjoyment of this high-quality and high-performance RC car and wish you best success on the track!

**In line with our policy of continuous product development, the exact specifications of the kit may vary. In the unlikely event of any problems with your new kit, you should contact the model shop where you purchased it, quoting the part number.**

**We do reserve all rights to change any specification without prior notice. All rights reserved.**

# TOOLS REQUIRED



Combination Pliers (HUDY #189020)

Side Cutters (HUDY #189010)

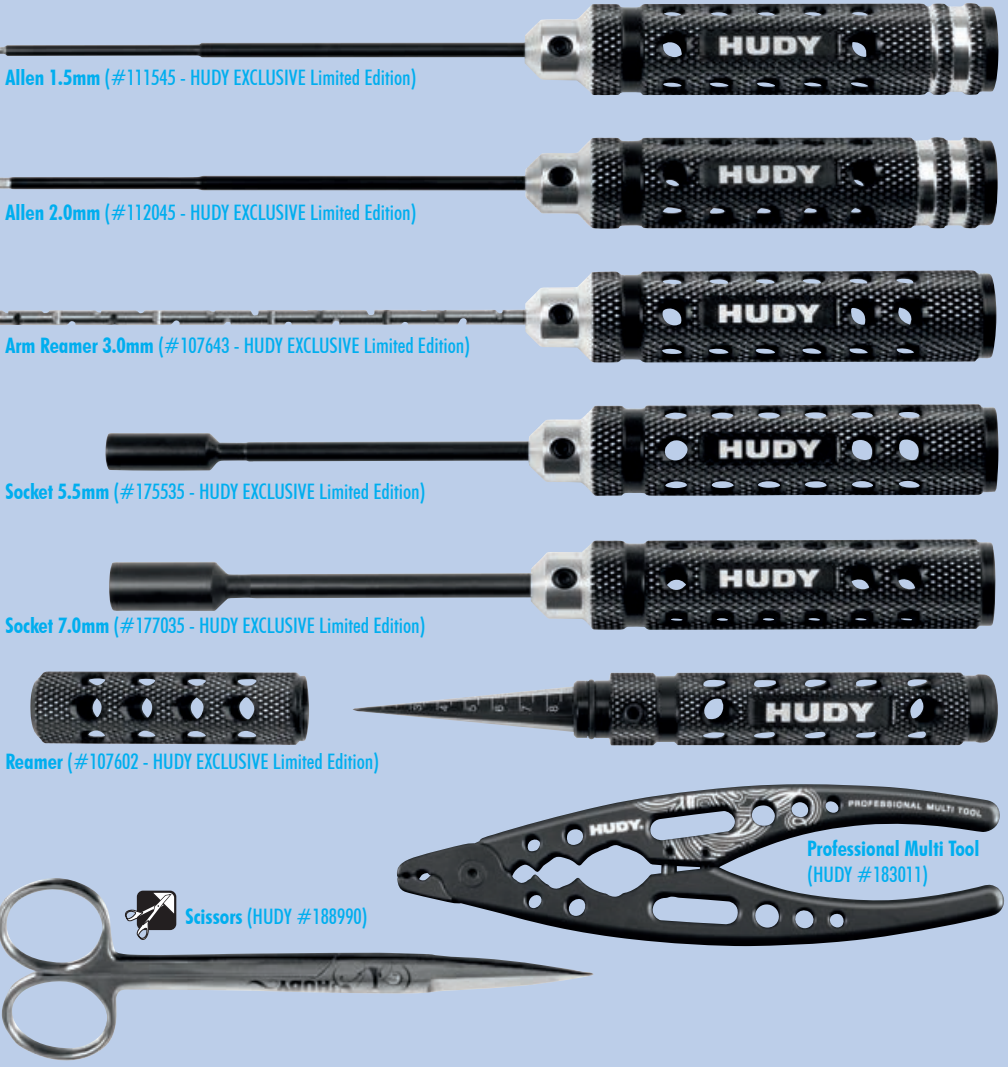
Pocket Hobby Knife (HUDY #188981)

Special Tool for turnbuckles, nuts (HUDY #181090)

Turnbuckle Wrench 3.5mm (HUDY #181035)

HUDY Tweezers Straight (HUDY #188970)

HUDY Tweezers Curved (HUDY #188971)



Allen 1.5mm (#111545 - HUDY EXCLUSIVE Limited Edition)

Allen 2.0mm (#112045 - HUDY EXCLUSIVE Limited Edition)

Arm Reamer 3.0mm (#107643 - HUDY EXCLUSIVE Limited Edition)

Socket 5.5mm (#175535 - HUDY EXCLUSIVE Limited Edition)

Socket 7.0mm (#177035 - HUDY EXCLUSIVE Limited Edition)

Reamer (#107602 - HUDY EXCLUSIVE Limited Edition)





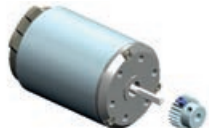










Scissors (HUDY #188990)

Professional Multi Tool (HUDY #183011)

# EQUIPMENT INCLUDED \* Kit includes smaller but sufficient amount of oil and grease to build the car.

<p><b>300cSt</b> Oil for assembly of front &amp; rear shock absorbers.</p>  <p>300cSt</p>	<p><b>50.000cSt</b> Oil for assembly of gear differential.</p>  <p>50.000cSt</p>	<p><b>Premium Graphite Grease</b> Grease for use on suspension &amp; drivetrain maintenance.</p> 
--	---	---

# EQUIPMENT REQUIRED

<p>Transmitter</p> 	<p>Receiver</p> 	<p>Speed Controller</p> 	<p>Steering Servo</p> 	<p>Electric Motor &amp; Pinion Gear with Setscrew</p> 	<p>LiPo Battery</p> 
<p>Battery Charger</p> 	<p> Double-sided Tape (HUDY #107875)</p> 	<p>Lexan™ Paint</p> 	<p>4x Tires &amp; Inserts</p> 	<p> Bearing Oil (HUDY #106230)</p> 	<p>Threadlock</p>  <p>CA glue</p> 

## NOT INCLUDED



### SAMPLE OF OPTIONAL PARTS

#32XXXX	TYPE1	OPTION 1
#32XXXX	TYPE2	OPTION 2
#32XXXX	TYPE	INCLUDED

XRAY offers wide range of optional tuning parts which are listed in a table like this. Please refer to the exploded view of each main section to verify which part is included in the kit while all other parts are available only as an optional part and must be purchased separately.

## COLOR INDICATIONS

At the beginning of each section is an exploded view of the parts to be assembled. There is also a list of all the parts and part numbers that are related to the assembly of that section.

The part descriptions are color-coded to make it easier for you to identify the source of a part. Here are what the different colors mean:

- 321200** **STYLE A** - indicates parts that are included in the bag marked for the section.
- 321100** **STYLE B** - indicates parts that are included in the box.
- 324900** **STYLE C** - indicates parts that are already assembled from previous steps.
- 325100** **STYLE D** - indicates parts that are **OPTIONAL**.

## TECH TIPS

### TIP DRIVE SHAFT PIN SERVICING

To enjoy the longest possible lifespan of the drive shafts and diff outrives, it is extremely important to properly service the drive shaft pins. Inspect the pins after every 3 hours of runtime. If the pins show any wear, replace them with new pins.



DO NOT use drive shafts when the pins are worn.

Press out the worn pins.

Press in new pins and regularly inspect for wear.



For quick & easy drive pin replacements use **#106000 HUDY Drive Pin Replacement Tool** together with **#106036 Ejector Pivot Pin & Alternating Pivot 2.5mm**.



To replace the worn pins use only premium **HUDY drive pins** (**#106053 2.5mm dia x 10mm length**)

### TIP CARBON PARTS PREPARATION

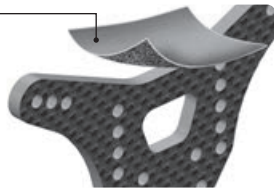
Follow this Tech Tip to prepare the carbon parts. Sand the edges with sandpaper, and then seal the edges with CA glue to reinforce them and help prevent delamination.

#### Prepare all Carbon Parts:

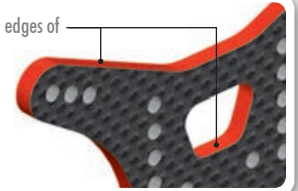
- Front shock tower
- Rear shock tower

#### Fine sandpaper

Use fine sandpaper to sand smooth the edges of all carbon parts.



Apply CA glue to all edges of the carbon parts.



**#106230**  
HUDY Bearing Oil

**#106220**  
HUDY Bearing Grease

**#106221**  
HUDY Bearing Grease "Blue"

**#106222**  
HUDY Bearing Grease "Red"

### TIP

All ball-bearings are factory pre-oiled or pre-greased. The bearings of each type are packaged separately; there is a **BAG 00.9** with pre-greased ball-bearings and a separate bag with pre-oiled ball-bearings.

For pre-oiled ball-bearings, use:  
**#106230 HUDY Bearing Oil.**

For pre-greased ball-bearings with rubber covers, use one of these bearing greases:  
**#106220 - HUDY Bearing Grease** - suggested for extremely dusty track conditions.  
**#106221 - HUDY Bearing Grease "Blue"** - suggested for medium dusty track conditions.  
**#106222 - HUDY Bearing Grease "Red"** - suggested for low dusty track conditions.

Replace any bearings that develop a "gritty" feeling to prevent inefficiency and avoid failures.

Make sure to use only original XRAY ball-bearings, which all have specific tolerances, axial and radial play, and are all individually selected. Using 3rd party ball-bearings may result in bearing failures and damage to other parts.

# OPTION PARTS

## HUDY PREMIUM SILICONE OILS



HUDY ULTIMATE SILICONE OILS		
#106510	10.000cSt - 50ml	OPTION
#106492	11.000cSt - 50ml	OPTION
#106512	12.000cSt - 50ml	OPTION
#106513	13.000cSt - 50ml	OPTION
#106515	15.000cSt - 50ml	OPTION
#106520	20.000cSt - 50ml	OPTION
#106530	30.000cSt - 50ml	OPTION
#106540	40.000cSt - 50ml	OPTION
#106550	50.000cSt - 50ml	INCLUDED
#106560	60.000cSt - 50ml	OPTION
#106580	80.000cSt - 50ml	OPTION
#106610	100.000cSt - 50ml	OPTION
#106615	150.000cSt - 50ml	OPTION

### TIP TIPS FOR GEAR DIFFERENTIAL

LOW-MEDIUM TRACTION 30.000cSt  
 MEDIUM-HIGH TRACTION 50.000cSt  
 HIGH TRACTION 80.000cSt

Softer oil increases rear traction, harder oil increases on-power forward traction.

## HUDY TITANIUM 5.4mm BALL STUDS

Ø 5.4mm



## HUDY TITANIUM 4.9mm BALL STUDS

Ø 4.9mm



**TITANIUM MATERIAL SUPER LIGHTWEIGHT ULTRA-PRECISE  
 LONG LIFE HIGH DURABILITY MADE BY HUDY  
 MADE IN EUROPE**

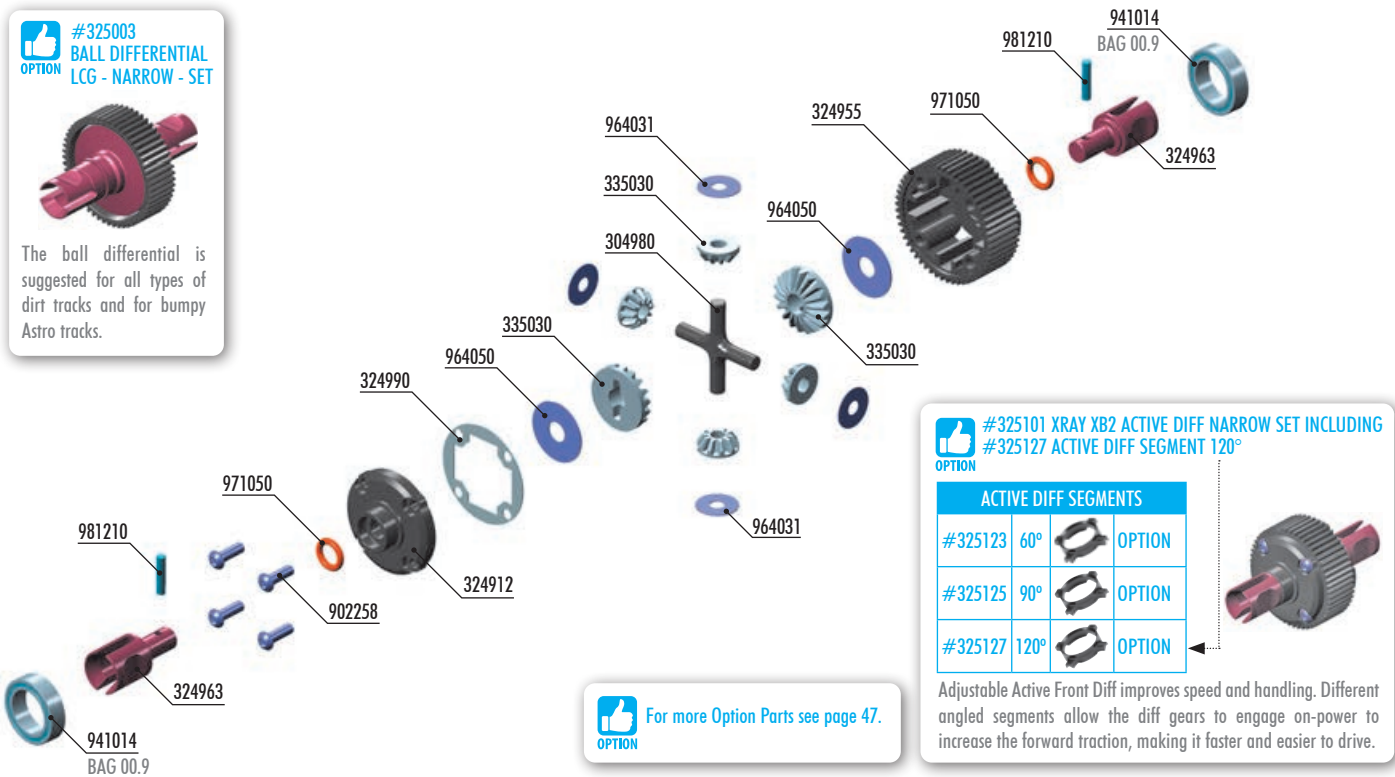


# 1. GEAR DIFFERENTIAL

#325003  
BALL DIFFERENTIAL  
OPTION  
LCG - NARROW - SET



The ball differential is suggested for all types of dirt tracks and for bumpy Astro tracks.



#325101 XRAY XB2 ACTIVE DIFF NARROW SET INCLUDING  
#325127 ACTIVE DIFF SEGMENT 120°  
OPTION

ACTIVE DIFF SEGMENTS			
#325123	60°		OPTION
#325125	90°		OPTION
#325127	120°		OPTION



Adjustable Active Front Diff improves speed and handling. Different angled segments allow the diff gears to engage on-power to increase the forward traction, making it faster and easier to drive.

For more Option Parts see page 47.

BAG



- |        |   |        |   |
|--------|---|--------|---|
| 304980 | COMPOSITE GEAR DIFF CROSS PIN                                   | 902258 | HEX SCREW SH M2.5x8 (10)                        |
| 324990 | DIFF GASKET (4)   | 941014 | BALL-BEARING 10x15x4 RUBBER SEALED - GREASE (2) |
| 324903 | GEAR DIFFERENTIAL - LCG - NARROW - SET                          | 964031 | WASHER S 3.5x10x0.2 (10)                        |
| 324912 | COMPOSITE GEAR DIFFERENTIAL COVER - LCG - NARROW                | 964050 | WASHER S 5x15x0.3 (10)                          |
| 324955 | COMPOSITE GEAR DIFFERENTIAL CASE WITH PULLEY 53T - LCG - NARROW | 971050 | SILICONE O-RING 5x15.1 (10)                     |
| 324963 | GEAR DIFF OUTDRIVE ADAPTER - LCG - FOR NARROW DIFF - HSS™ (2)   | 981210 | PIN 2x10 (10)                                   |
| 335030 | STEEL DIFF BEVEL & SATELLITE GEARS (2+4)                        |        |   |



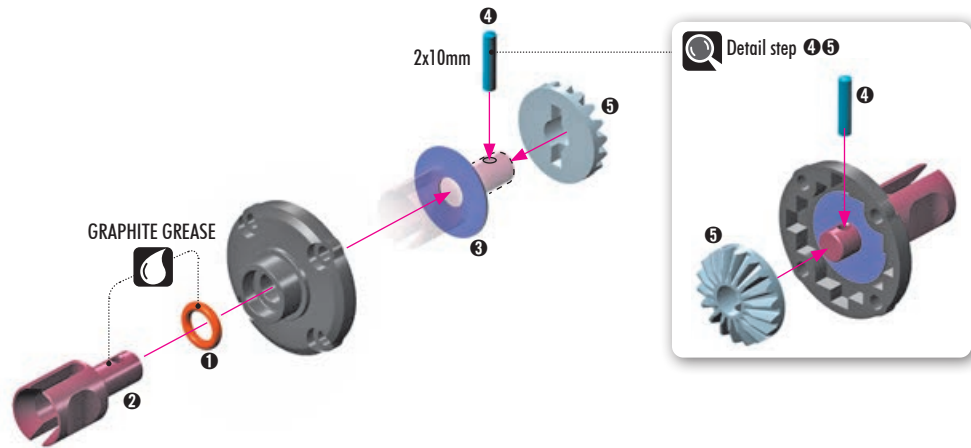
1x 964050  
S 5x15x0.3



1x 971050  
O 5x1.5



1x 981210  
P 2x10



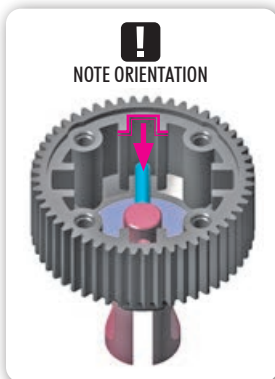
1x 964050  
S 5x15x0.3



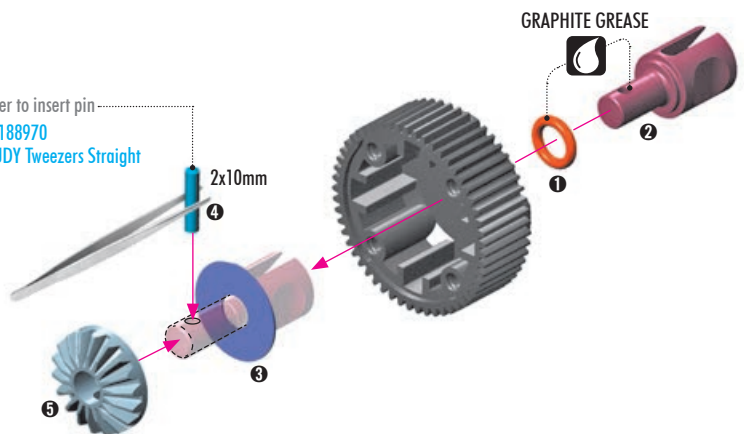
1x 971050  
O 5x1.5



1x 981210  
P 2x10



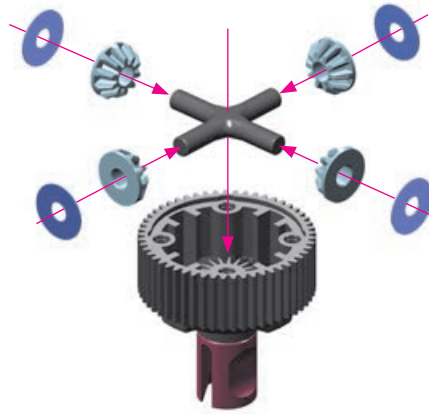
Use tweezers to insert pin—  
#188970  
HUDY Tweezers Straight  
OPTION



# 1. GEAR DIFFERENTIAL



4x 964031  
S 3.5x10x0.2



## USE PROPER AMOUNT OF OIL IN THE DIFF

Use a digital scale to measure the exact amount of oil in the diff. Remember that during operation the diff gets hotter and the heat may allow the oil to expand. If there is too much oil inside it may interfere with the diff operation and damage the internal gears.



#107865  
HUDY Professional Digital Pocket Scale 300g/0.01g



#107866  
HUDY Professional Digital Pocket Scale 3000g/0.1g



Silicone oil 50.000cSt  
Fill just above the diff pin.



Fill differential up to the top of the diff pin.



DO NOT fill the diff to the top of the housing.



TO ENSURE YOU HAVE THE SAME AMOUNT OF OIL FROM REBUILD TO REBUILD, DO THE FOLLOWING:



1 Put the diff (without oil) on the scale and check the weight (approximately 17.00g)

SILICONE OIL



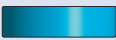
$$17.00g + 1.30g = 18.30g$$



2 Slowly pour oil into the diff and watch the weight. Add 1.30g of oil into the diff. The approximate weight of the diff including oil is 18.30g.



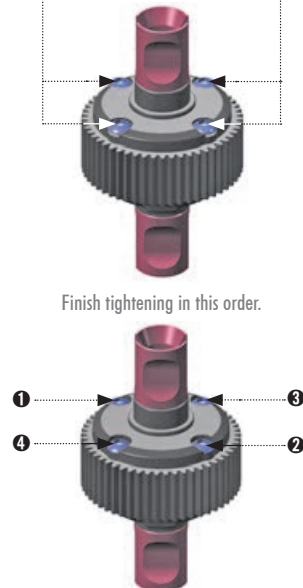
4x 902258  
SH M2.5x8



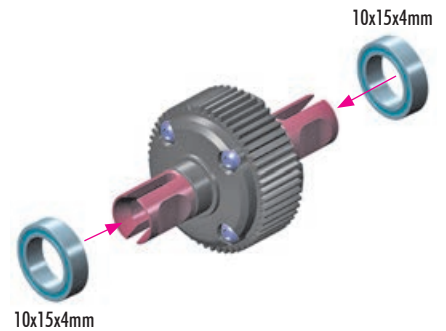
2x 941014  
BB 10x15x4



Install the screws equally but DO NOT tighten them completely.

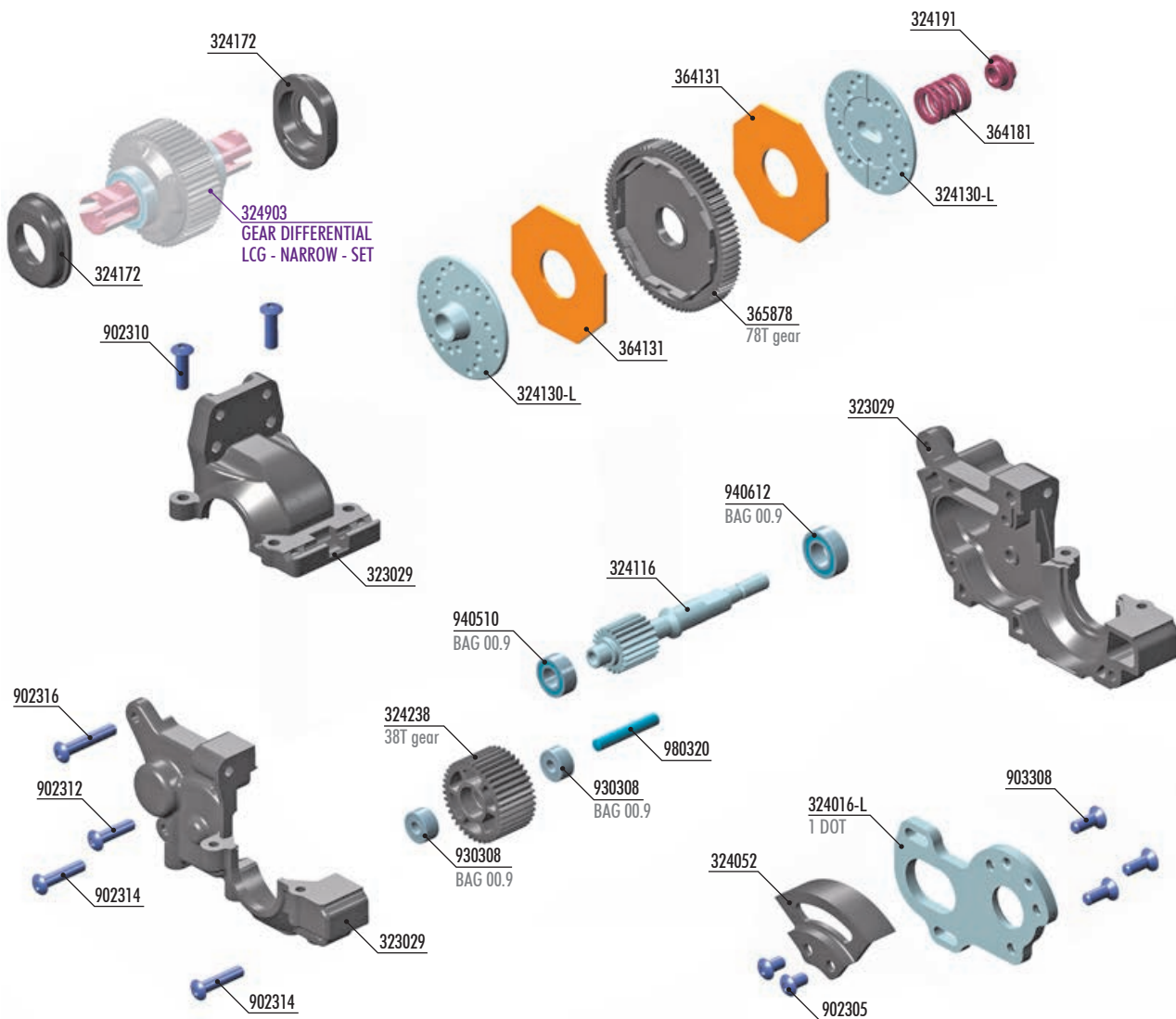


Finish tightening in this order.





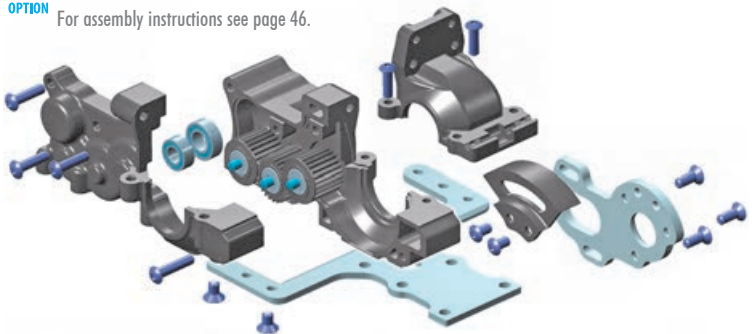
## 2. REAR TRANSMISSION



 # 323029-G  
OPTION GRAPHITE 3G GEAR BOX FOR  
CHASSIS BRACE - SET



 #320905  
OPTION XB2 5G GEAR BOX CONVERSION SET  
For assembly instructions see page 46.



**BAG**

**02**

323029 COMPOSITE 3G GEAR BOX FOR CHASSIS BRACE - SET  
324016-L ALU MOTOR PLATE FOR 3G GEAR BOX -1mm - 1-DOT - SWISS 7075 T6  
324052 COMPOSITE GEAR COVER - LCG  
324116 ALU 2-PAD TOP SHAFT 20T - LCG - ULTRA-LIGHTWEIGHT - SHORT  
324130-L ALU 2-PAD SLIPPER CLUTCH PLATES - VENTILATED - SET  
324172 COMPOSITE ADJUSTMENT BALL-BEARING HUB (2)  
324191 STEEL SLIPPER CLUTCH NUT - HUDY SPRING STEEL™  
324238 COMPOSITE GEAR 38T - LCG - GRAPHITE  
364131 SLIPPER CLUTCH PAD SLS - SOFT (3)  
364181 SLIPPER CLUTCH SPRING C=45 - BLACK  
365878 COMPOSITE 3-PAD SLIPPER CLUTCH SPUR GEAR 78T / 48

902305 HEX SCREW SH M3x5 (10)  
902310 HEX SCREW SH M3x10 (10)  
902312 HEX SCREW SH M3x12 (10)  
902314 HEX SCREW SH M3x14 (10)  
902316 HEX SCREW SH M3x16 (10)  
903308 HEX SCREW SFH M3x8 (10)  
930308 BALL-BEARING 3x8x4 STEEL SEALED - OIL (2)  
940510 BALL-BEARING 5x10x4 RUBBER SEALED - OIL (2)  
940612 BALL-BEARING 6x12x4 RUBBER SEALED - OIL (2)  
980320 PIN 3x20 (10)

324903 GEAR DIFFERENTIAL - LCG - NARROW - SET

## 2. REAR TRANSMISSION



2x 930308  
BB 3x8x4



1x 940612  
BB 6x12x4

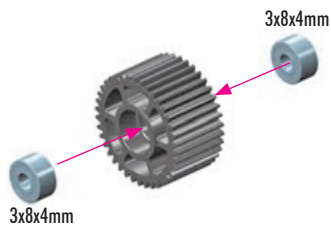


1x 980320  
P 3x20



#980320-T  
TITANIUM PIN 3x20 (2)

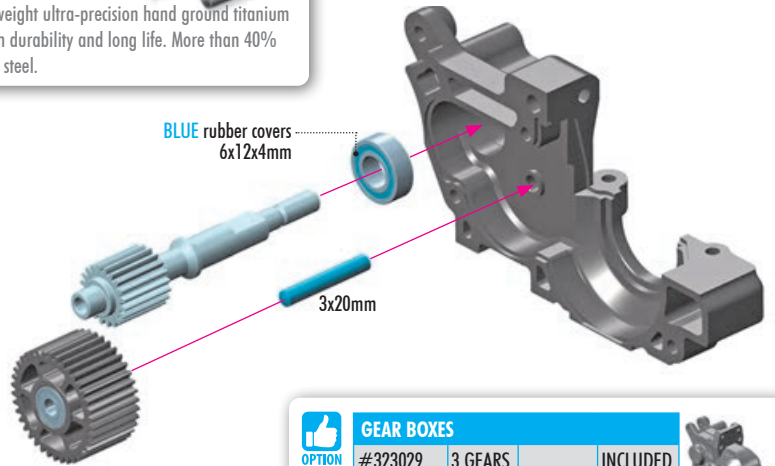
Super lightweight ultra-precision hand ground titanium pins for high durability and long life. More than 40% lighter than steel.



3x8x4mm

3x8x4mm

BLUE rubber covers  
6x12x4mm

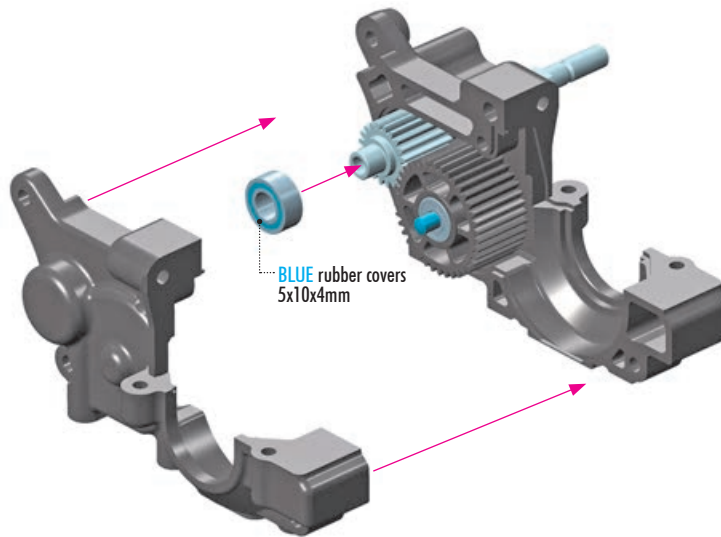


GEAR BOXES

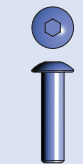
OPTION	#323029	3 GEARS		INCLUDED
	#323029-G	3 GEARS	GRAPHITE	OPTION



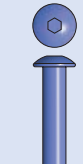
1x 940510  
BB 5x10x4



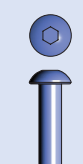
BLUE rubber covers  
5x10x4mm



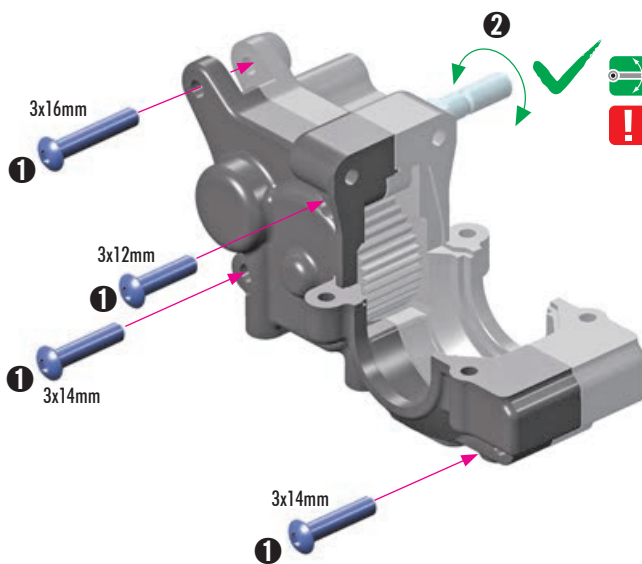
1x 902312  
SH M3x12



2x 902314  
SH M3x14



1x 902316  
SH M3x16



3x16mm

1

3x12mm

1

3x14mm

1

3x14mm

1

2



After assembly, check for free rotation of all drivetrain parts.



The proper gear mesh will be achieved after final assembly on the chassis.

## 2. REAR TRANSMISSION

**DIFFERENTIAL HEIGHT ADJUSTMENT**

HIGHEST 3 DOTS  
HIGHER 2 DOTS  
**MIDDLE 1 DOT**  
1 DOT MIDDLE  
2 DOTS LOWER  
3 DOTS LOWEST

**INITIAL SETTING**

**NOTE ORIENTATION**  
Dots must have same orientation on each side (dots up or down).

**2x 902310**  
SH M3x10

**GEAR RATIO**  
Internal Gear Ratio **2.65**

3x10mm **1**

"CLICK"

**2**

After assembly, check for free rotation of all drivetrain parts.

The proper gear mesh will be achieved after final assembly on the chassis.

**NOTE ORIENTATION**  
Dots must have same orientation on each side (dots up or down).

GRAPHITE GREASE

**2x 902305**  
SH M3x5

3G Motor plate (-1mm) 1 Dot

3x5mm

**NOTE ORIENTATION**

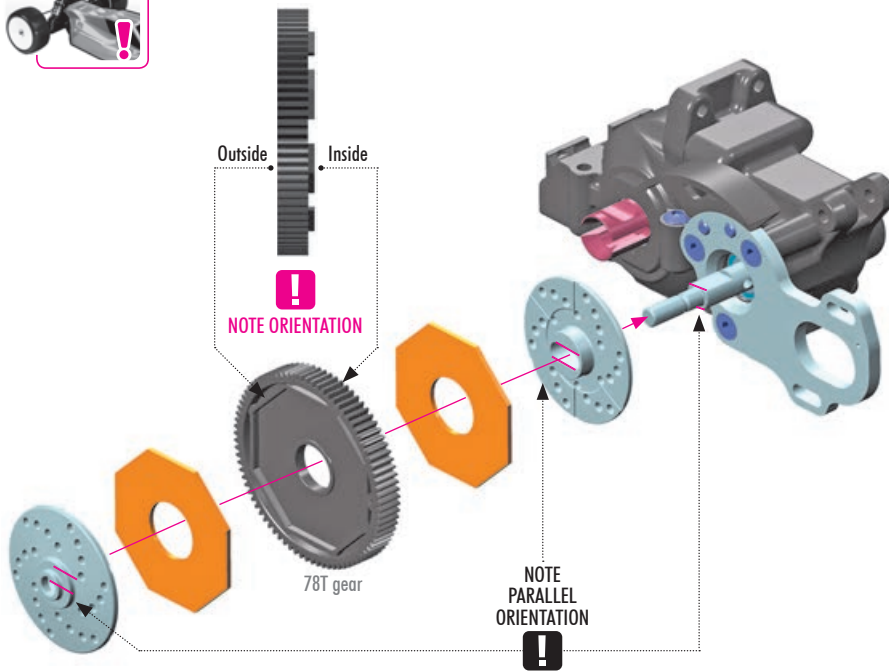
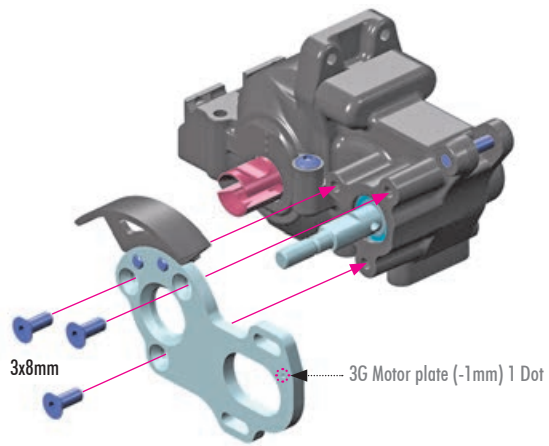
**#324017**  
OPTION **CARBON MOTOR PLATE LCG**

Lightweight carbon motor plate helps to reduce CG and absorbs vibrations from the motor.

## 2. REAR TRANSMISSION



3x 903308 SFH M3x8



### SPUR GEARS

#365872	72T	OPTION
#365875	75T	OPTION
#365878	78T	INCLUDED
#365881	81T	OPTION



### #324103 SLIPPER ELIMINATOR - SET



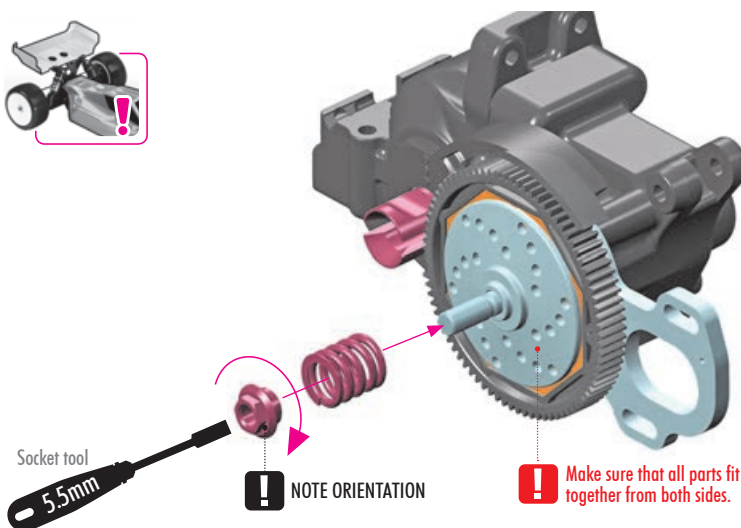
72T INCLUDED

Recommended for stock motor classes. Reduces rotating mass, reduces vehicle weight, and maximizes power throughput by eliminating the slipper clutch.

With the Slipper Eliminator, motor output & driveline impacts are transferred directly through the transmission gears, increasing the potential for transmission gear damage.

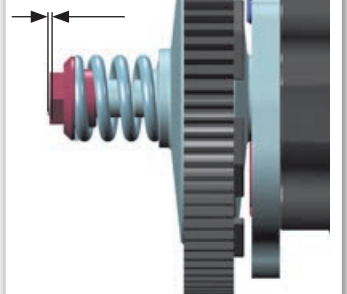


### #325869 SLIPPER ELIMINATOR SPUR GEAR 69T / 48

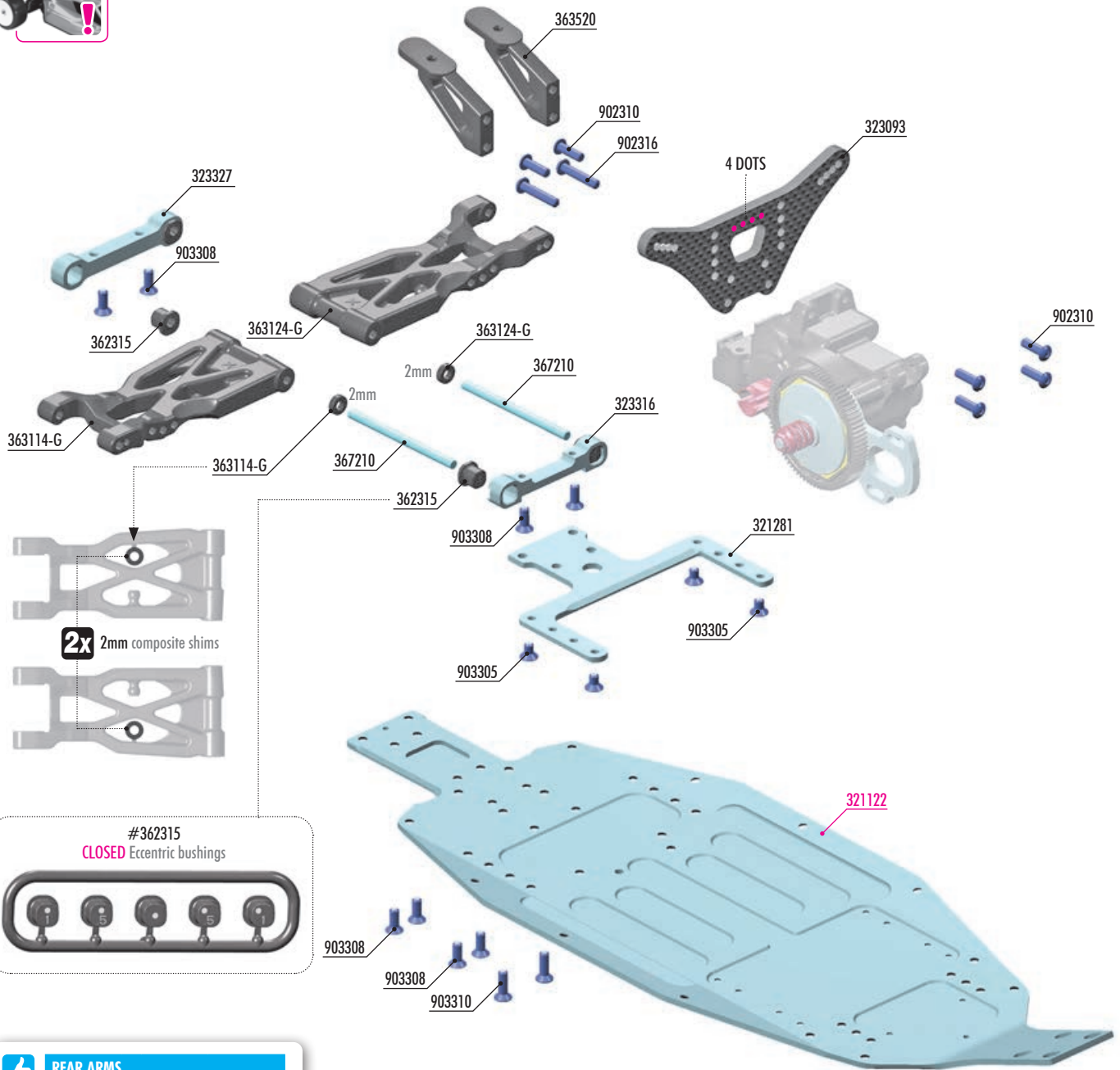


### INITIAL SETTING

Flush with end of shaft

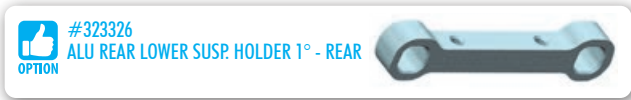


### 3. REAR SUSPENSION



**REAR ARMS**

#363114-M	R	MEDIUM	OPTION
#363124-M	L	MEDIUM	OPTION
#363114-H	R	HARD	OPTION
#363124-H	L	HARD	OPTION
#363114-G	R	GRAPHITE	INCLUDED
#363124-G	L	GRAPHITE	INCLUDED



**BAG**  
**03**

- 321281 ALU CHASSIS BRACE FOR GEAR BOX BLOCK - 3 GEAR
- 323093 CARBON SHOCK TOWER - 4-DOTS - REAR
- 323316 ALU REAR LOWER SUSPENSION HOLDER FOR CHASSIS BRACE - FRONT
- 323327 ALU REAR LOWER SUSPENSION HOLDER 3° - WIDER - REAR
- 362315 ECCENTRIC BUSHING SET - CLOSED (2)
- 363114-G COMPOSITE SUSPENSION ARM REAR LOWER RIGHT - 3-HOLE - GRAPHITE
- 363124-G COMPOSITE SUSPENSION ARM REAR LOWER LEFT - 3-HOLE - GRAPHITE
- 363520 REAR WING POST (2)
- 367210 REAR SUSPENSION PIVOT PIN (2)

- 902310 HEX SCREW SH M3x10 (10)
- 902316 HEX SCREW SH M3x16 (10)
- 903305 HEX SCREW SFH M3x5 (10)
- 903308 HEX SCREW SFH M3x8 (10)
- 903310 HEX SCREW SFH M3x10 (10)

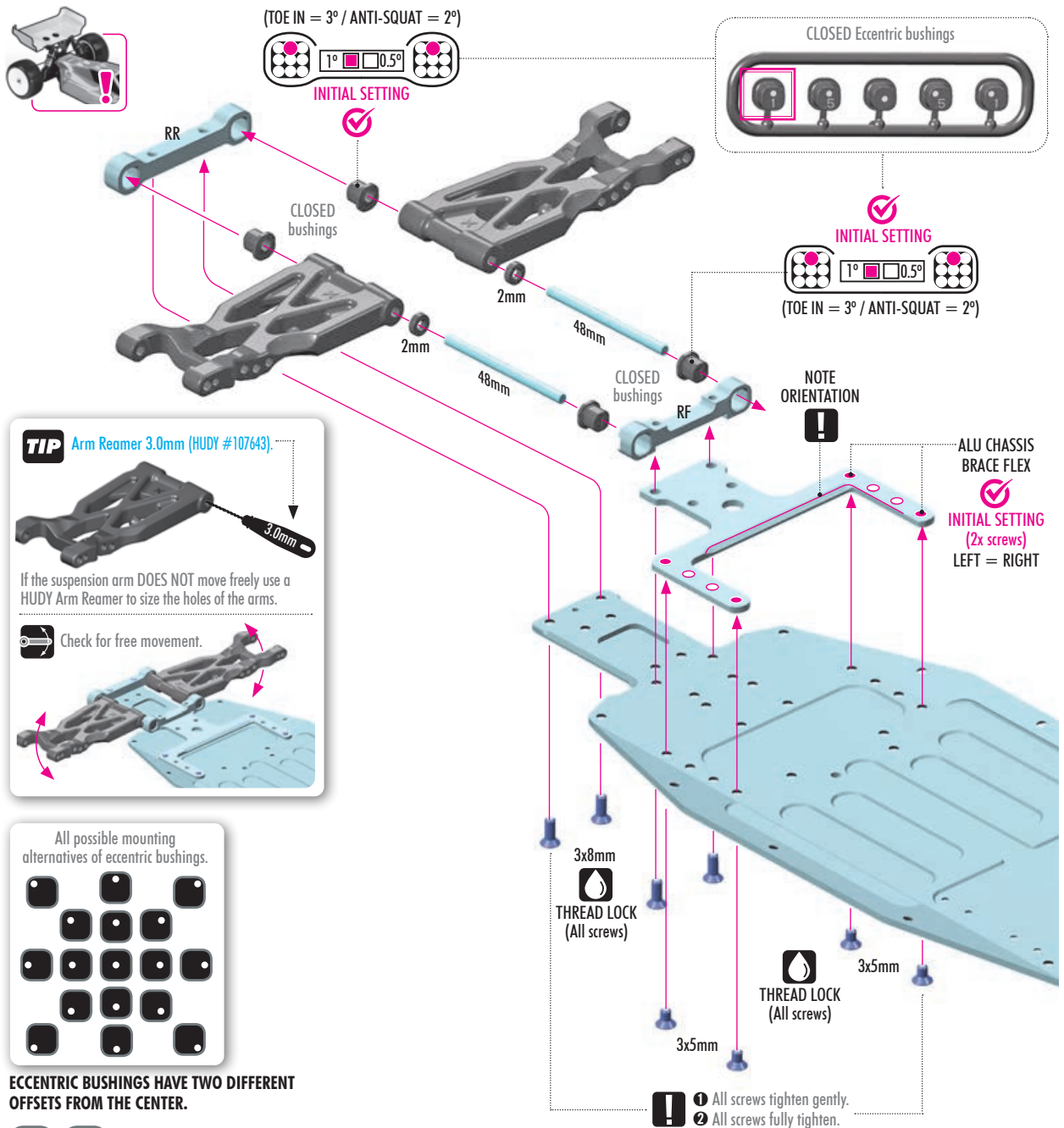
**321122** ALU CHASSIS - 2.0MM - MID-SIZE - REAR WIDE - SWISS 7075 T6

# 3. REAR SUSPENSION

**IO**  
2x From Rear Arm SHIM 3x6.5x2

4x 903305 SFH M3x5

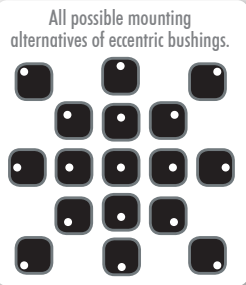
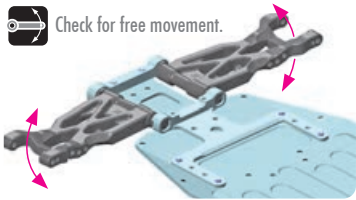
4x 903308 SFH M3x8



**TIP** Arm Reamer 3.0mm (HUDY #107643).



If the suspension arm DOES NOT move freely use a HUDY Arm Reamer to size the holes of the arms.



**ECCENTRIC BUSHINGS HAVE TWO DIFFERENT OFFSETS FROM THE CENTER.**

- Middle position = 0.5° or 0.375mm from center.
- Outer position = 1° or 0.75mm from center.

#323326  
**ALU REAR LOWER SUSP. HOLDER 1° - REAR**  
OPTION  
The 1° Rear Lower Suspension holder increases rotation of the car.

The XRAY rear alu lower suspension holders provide great range of adjustments for the rear suspension. Using different combinations of eccentric bushings, fine adjustment of rear anti-squat, rear toe-in, rear roll center, and rear track-width can be obtained. For more information about the influence of rear anti-squat, rear toe-in, rear roll center and rear track width on car handling, please refer to HUDY Set-up Book (#209100).

ANTI-SQUAT		
RR	RF	(°)
○	○	= 2.0°
○	○	= 3.0°
○	○	= 1.0°
○	○	= 3.0°
○	○	= 2.0°
○	○	= 4.0°
○	○	= 1.0°
○	○	= 2.0°
○	○	= 1.0°

ROLL CENTER		
RR	RF	(mm)
○	○	= +0.75mm
○	○	= 0mm
○	○	= -0.75mm

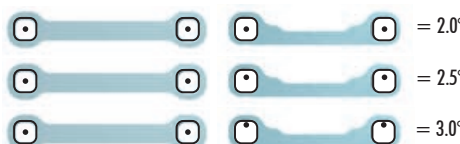
TRACK-WIDTH		
RR	RF	(mm)
○	○	= +1.5mm
○	○	= 0mm
○	○	= -1.5mm

TOE-IN		
RR	RF	(°)
○	○	= 3°
○	○	= 4°
○	○	= 2°
○	○	= 2°
○	○	= 3°
○	○	= 1°
○	○	= 4°
○	○	= 5°
○	○	= 3°

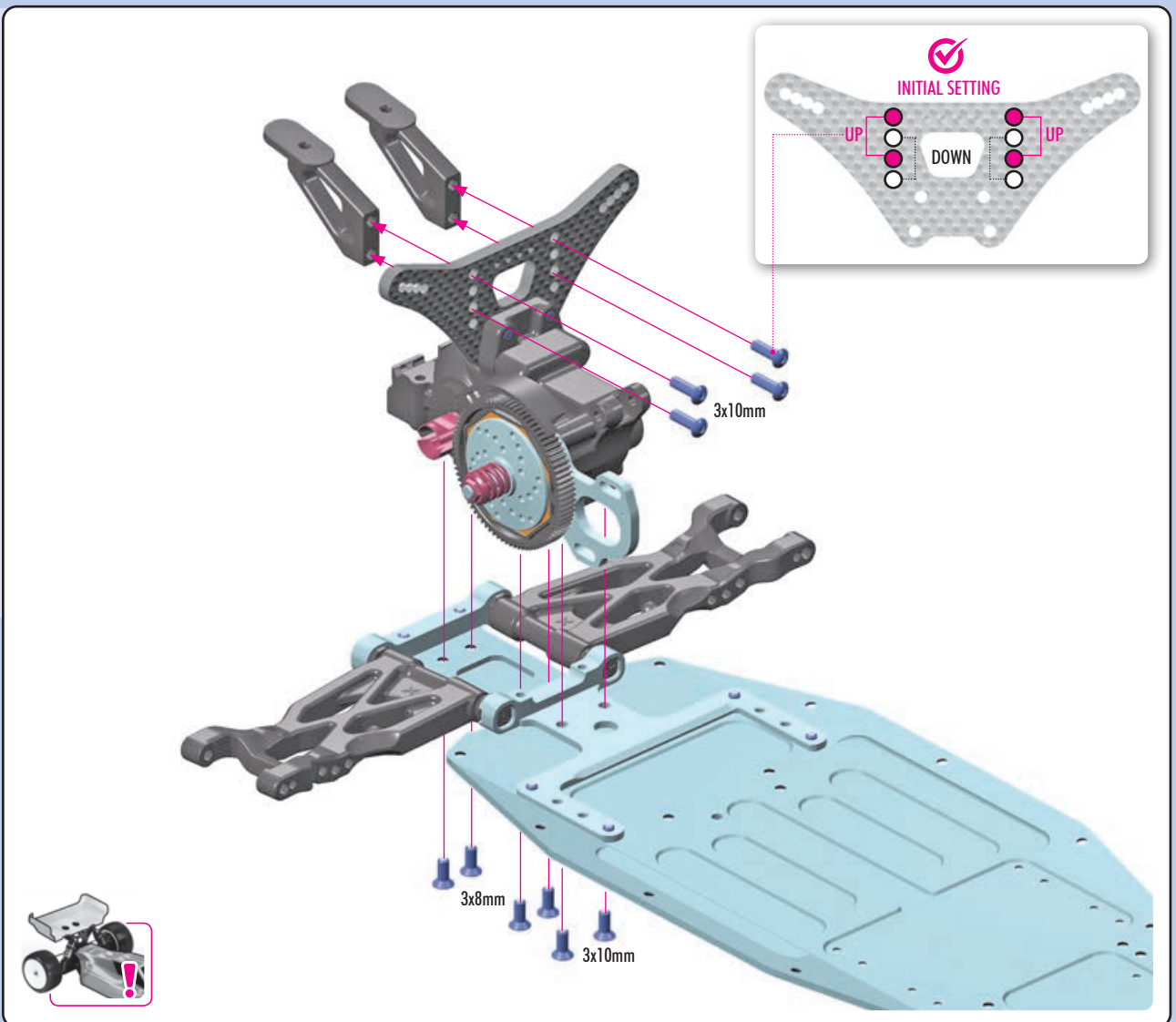
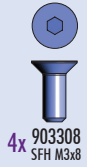
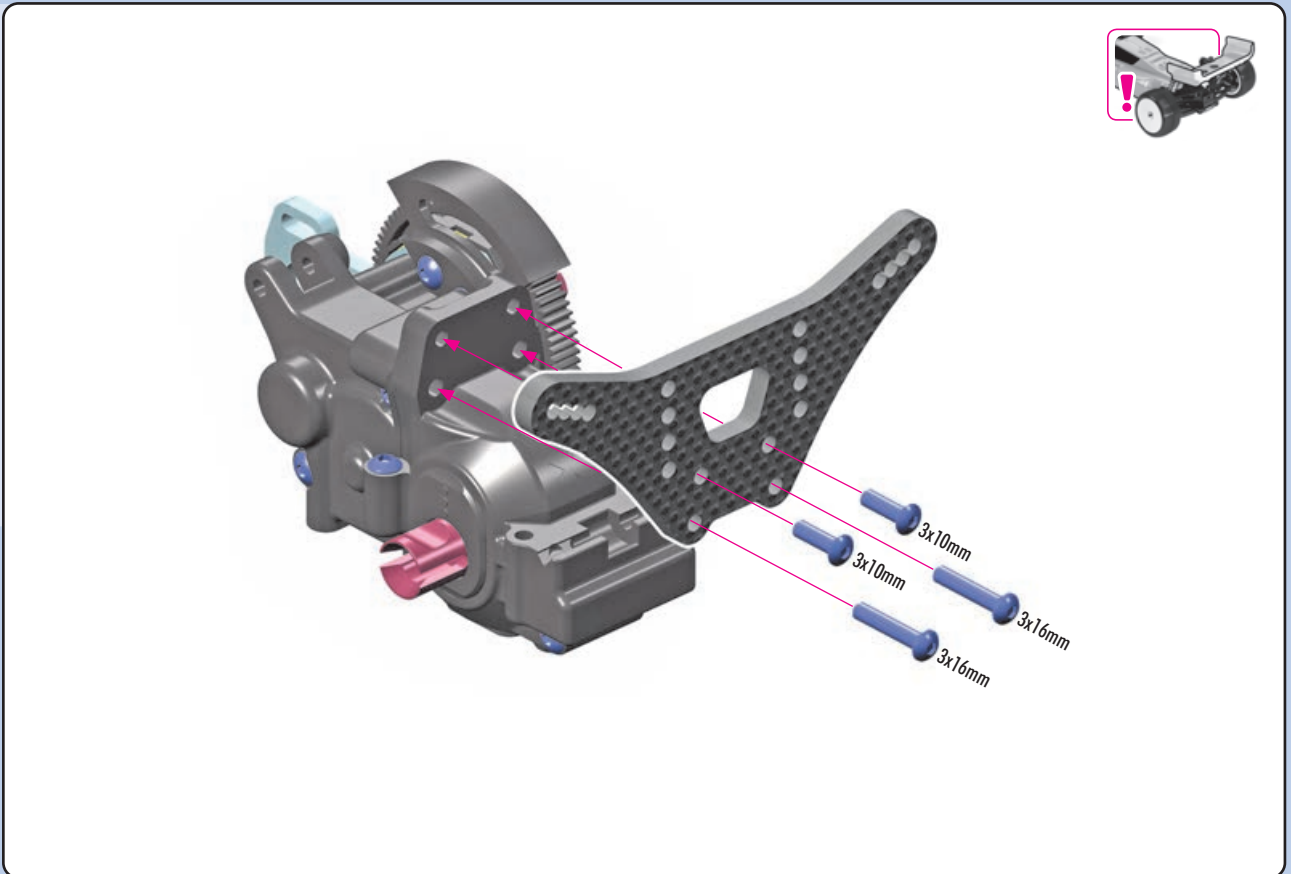
The tables describe the amounts of adjustment using the center and outside positions of the eccentric bushings. The middle position eccentric bushings allow for finer adjustment increments.

**ANTI-SQUAT Example:**

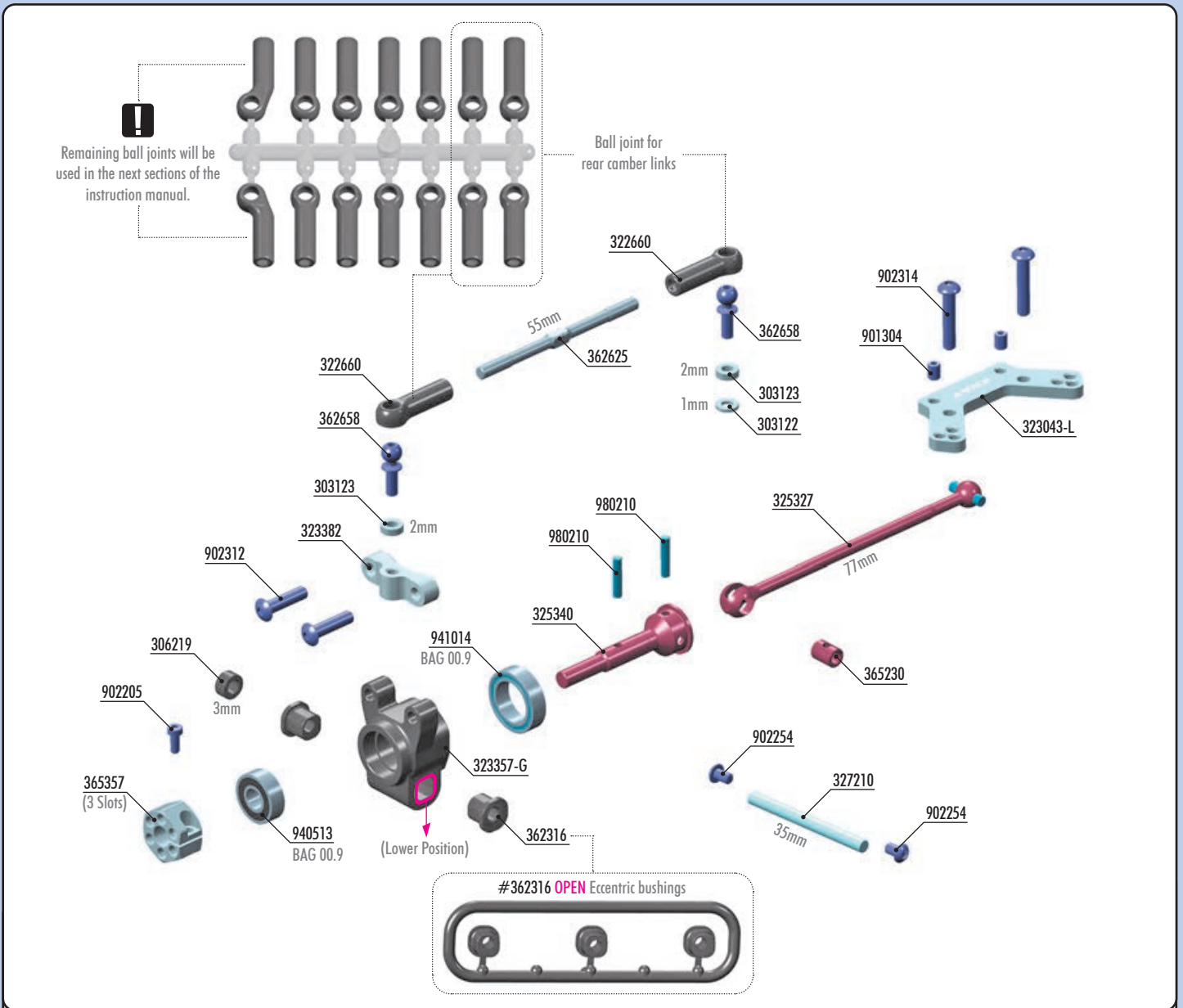
- 0(RR) - 0 (RF) = 2.0°
- 0(RR) - 0.5 (RF) = 2.5°
- 0(RR) - 1 (RF) = 3.0°



### 3. REAR SUSPENSION



### 3. REAR DRIVETRAIN



BAG

03

- 303122 ALU SHIM 3x6x1.0mm (10)
- 303123 ALU SHIM 3x6x2.0mm (10)
- 306219 COMPOSITE SET OF SHIMS (4)
- 322660 COMPOSITE BALL JOINT 5.4mm (12+1+1)
- 323043-L ALU REAR ROLL-CENTER HOLDER FOR ANTI-ROLL BAR COLLAR - 7075 T6
- 323357-G COMPOSITE UPRIGHT REAR - LOWER POSITION - GRAPHITE
- 323382 ALU REAR HUB PLATE FOR MULTI ADJ. UPRIGHT - 1-HOLE - SWISS 7075 T6
- 325327 REAR DRIVE SHAFT 77mm WITH 2.5mm PIN - HUDY SPRING STEEL™
- 325340 REAR DRIVE AXLE LB - HUDY SPRING STEEL™
- 327210 SUSPENSION PIVOT PIN (2)
- 362316 ECCENTRIC BUSHING SET - OPEN (2)
- 362625 ADJUSTABLE TURNBUCKLE 55mm M3.5 L/R - HUDY SPRING STEEL™ (2)

- 362658 HARD STEEL BALL END 5.4mm WITH 8mm THREAD - NICKEL COATED (2)
- 365230 DRIVE SHAFT COUPLING - HUDY SPRING STEEL™
- 365357 ALU WHEEL HUB 12mm - 3 SLOTS - OFFSET "+2.25mm" (2)
- 902205 HEX SCREW SH M2x5 (10)
- 902254 HEX SCREW SH M2.5x4 (10)
- 902312 HEX SCREW SH M3x12 (10)
- 902314 HEX SCREW SH M3x14 (10)
- 940513 BALL-BEARING 5x12x4 RUBBER SEALED - GREASE (2)
- 941014 BALL-BEARING 10x15x4 RUBBER SEALED - GREASE (2)
- 980210 PIN 2x9.8 (10)



REAR ANTI-ROLL BARS		
#323490	1.0mm	OPTION
#323491	1.1mm	OPTION
#323492	1.2mm	OPTION
#323493	1.3mm	OPTION
#323494	1.4mm	INCLUDED
#323496	1.6mm	OPTION

BAG

03.1

#### XB2 REAR ANTI-ROLL BAR SET

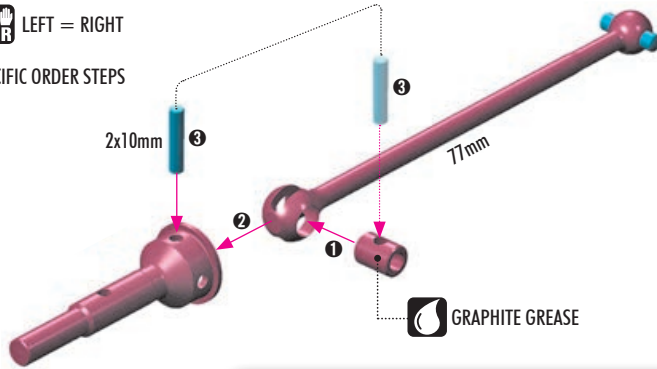
- 302663 COMPOSITE BALL JOINT 4.9mm - OPEN - V2 (8)
- 303455 COMPOSITE ANTI-ROLL BAR BALL JOINT 4.9mm (4)
- 322440 ALU ANTI-ROLL BAR COLLAR
- 323494 ANTI-ROLL BAR REAR - SHORT - 1.4mm
- 362650 BALL END 4.9mm WITH THREAD 6mm (2)
- 901302 HEX SCREW SB M3x2.5 (10)
- 901304 HEX SCREW SB M3x4 (10)



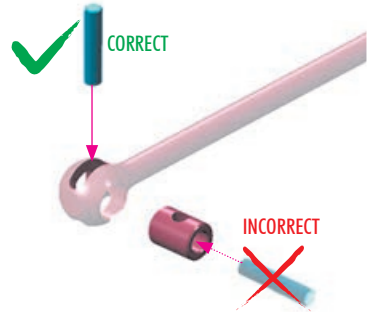
### 3. REAR DRIVETRAIN

2x 980210  
P 2x10

2x LEFT = RIGHT  
SPECIFIC ORDER STEPS



**EXTREMELY IMPORTANT**



OPTION #325341 REAR ADJ. DRIVE AXLE LB - HUDY SPRING STEEL™  
#325390 ALU SHIM 10x12x2mm (2)

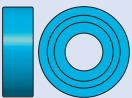


Drive shaft length adjustment uses 4 different connecting hole positions at the drive axle end to allow changes to overall driveshaft length.

OPTION #305231  
DRIVE SHAFT COUPLING  
HUDY SPRING STEEL



2x 902205  
SH M2x5



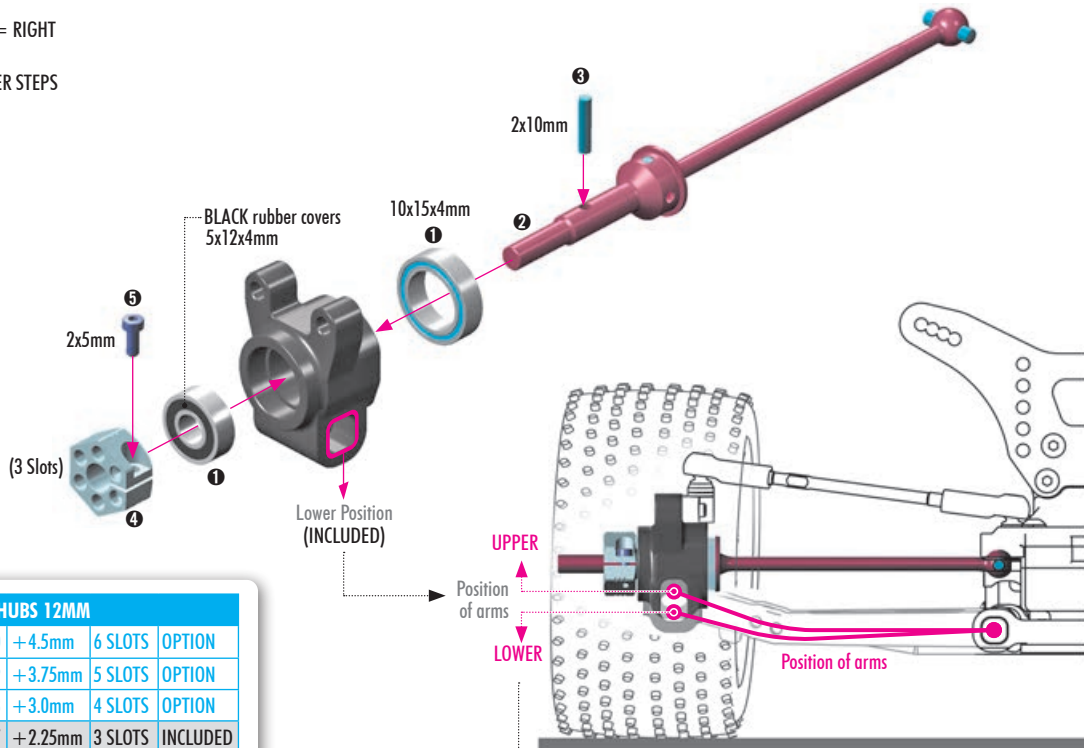
2x 940513  
BB 5x12x4



2x 941014  
BB 10x15x4

2x 980210  
P 2x10

2x LEFT = RIGHT  
SPECIFIC ORDER STEPS



OPTION	WHEEL HUBS 12MM	WHEEL HUBS 12MM	WHEEL HUBS 12MM	WHEEL HUBS 12MM
OPTION	#365360	+4.5mm	6 SLOTS	OPTION
	#365359	+3.75mm	5 SLOTS	OPTION
	#365358	+3.0mm	4 SLOTS	OPTION
	#365357	+2.25mm	3 SLOTS	INCLUDED
	#365356	+1.5mm	2 SLOTS	OPTION
	#365355	+0.75mm	1 SLOT	OPTION
	#365353	0mm	0 SLOTS	OPTION
	#365354	-0.75mm	Lightw.	OPTION
	#365361	-1.25mm	Lightw.	OPTION

#### OPTIONAL HEX HUB EFFECTS

Different offset hex hubs are used to increase or decrease the track-width.

**LESS OFFSET**      **MORE OFFSET**  
Rear - more traction      Rear - less traction  
Front - more steering      Front - less steering

OPTION	XRAY BALL-BEARINGS	XRAY BALL-BEARINGS	XRAY BALL-BEARINGS
OPTION	#940512	5x12x4	OIL
	#941015	10x15x4	OIL
	#940513	5x12x4	GREASE
	#941014	10x15x4	GREASE



OPTION	REAR UPRIGHTS	Position	REAR UPRIGHTS
OPTION	#323354-M	MEDIUM	UPPER
	#323357-M	MEDIUM	LOWER
	#323354-H	HARD	UPPER
	#323354-G	GRAPHITE	UPPER
	#323357-G	GRAPHITE	LOWER
	#323355	ALU HIGH	UPPER
	#323356	ALU LOW	LOWER

#### UPPER position

We recommend for these types of surfaces and traction:

- DIRT low & high traction
- Wet ASTRO

#### LOWER position

We recommend for these types of surfaces and traction:

- CARPET
- Dry ASTRO
- DIRT very high traction

### 3. REAR DRIVETRAIN

**2x** LEFT = RIGHT

**4x** **OPEN**  
Eccentric bushings

**INITIAL SETTING ORIENTATION**

**2x** LEFT = RIGHT

**!** **Open bushings must have same orientation on each side.**

SIDE orientation  
CENTER orientation  
CORNER orientation

**4x** 902312  
SH M3x12

**2x** LEFT = RIGHT

**INITIAL SETTING ORIENTATION**

Alternative orientation

3x12mm

**BAG**

**03.7**

**!** LEFT = RIGHT

Ball  $\varnothing$  4.9mm

Thread 6mm

**2x**

**TIP**   
Install with HUDY Multi Tool.

**2x**

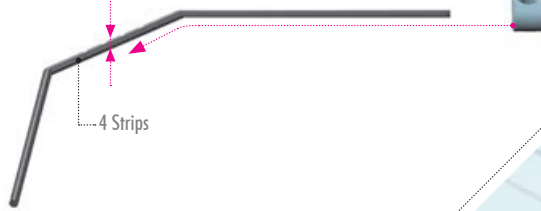
2.0mm

### 3. REAR DRIVETRAIN

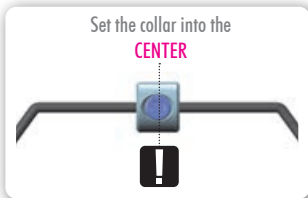
1x 901302  
SB M3x2.5

2x 901304  
SB M3x4

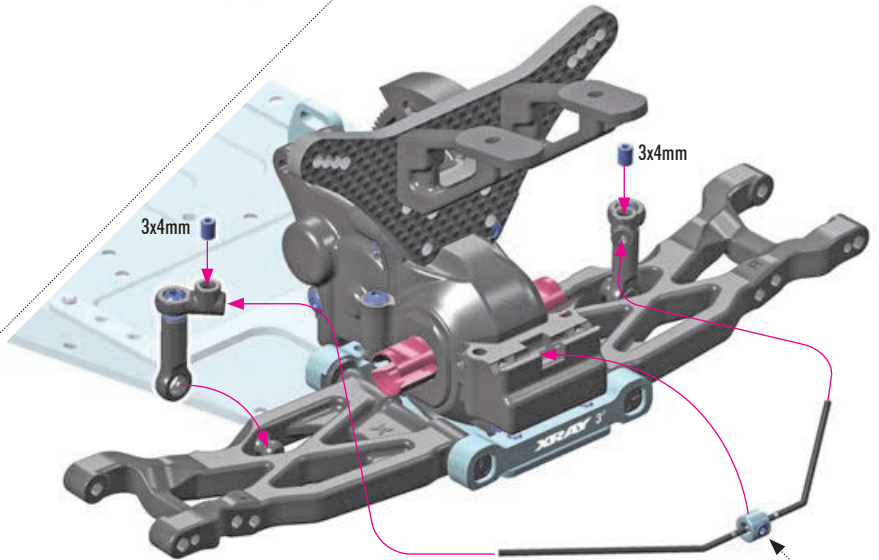
Set the collar into the **CENTER** of rear anti-roll bar.



3x2.5mm Setscrew is already threaded in collar.



Set the collar into the **CENTER**

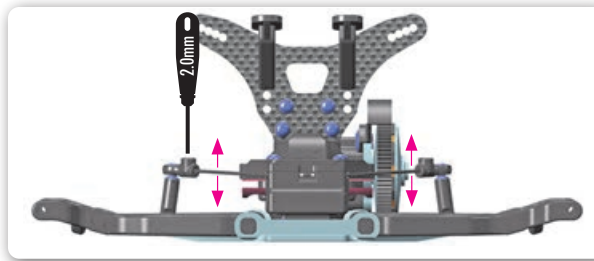


**!**  
NOTE ORIENTATION of Set screw



#### REAR ANTI-ROLL BARS

#323490	1.0mm	OPTION
#323491	1.1mm	OPTION
#323492	1.2mm	OPTION
#323493	1.3mm	OPTION
#323494	1.4mm	INCLUDED
#323496	1.6mm	OPTION

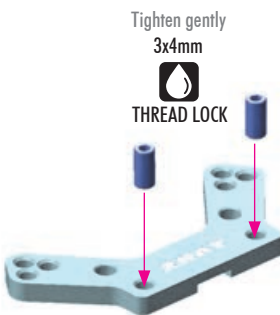


2x 901304  
SB M3x4

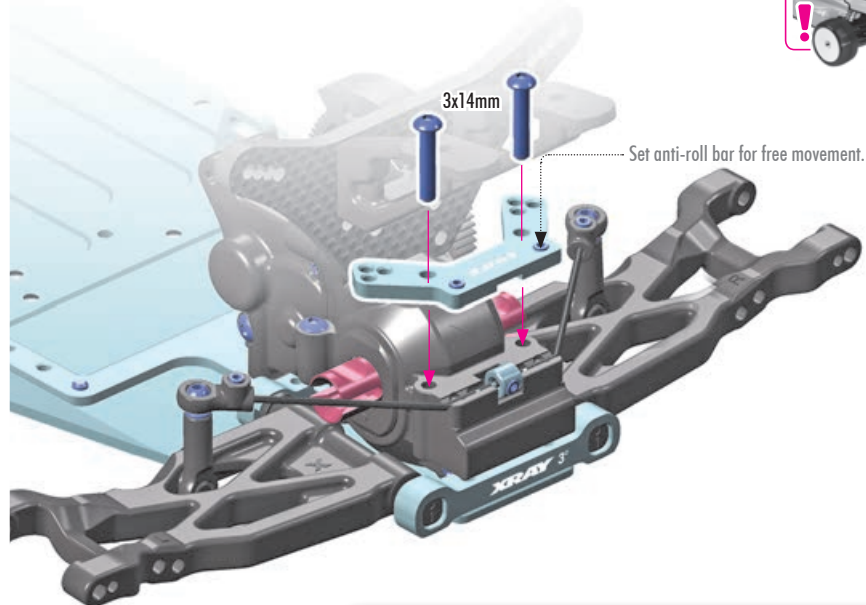
2x 902314  
SH M3x14

Step 1 pre-assemble set screws.

Step 2 complete assembly & set anti-roll bar for free movement.



Tighten gently  
3x4mm  
**!**  
THREAD LOCK



Set anti-roll bar for free movement.



#### REAR ROLL CENTER HOLDERS

#323044	HARD	OPTION
#323044-G	GRAPHITE	OPTION
#323043-L	ALU	INCLUDED



CHECK FOR FREE MOVEMENT



### 3. REAR DRIVETRAIN

- 2x 306219 SHIM 3x6x3
- 4x 902254 SH M2.5x4

**2x** LEFT = RIGHT

3mm

2.5x4mm

TIGHTEN GENTLY

35mm

2.5x4mm

ASSEMBLED VIEW

**2x** LEFT = RIGHT

RIGHT THREAD SIDE

LEFT THREAD SIDE

! SLOT ORIENTATION

LEFT THREAD

RIGHT THREAD

Ball ø5.4mm Thread 8mm

**TIP** Install with HUDY Multi Tool.

30.4mm

30.4mm

- 2x 303122 SHIM 3x6x1
- 4x 303123 SHIM 3x6x2

**2x** LEFT = RIGHT

2mm

1mm

2mm

ASSEMBLED VIEW

INITIAL SETTING

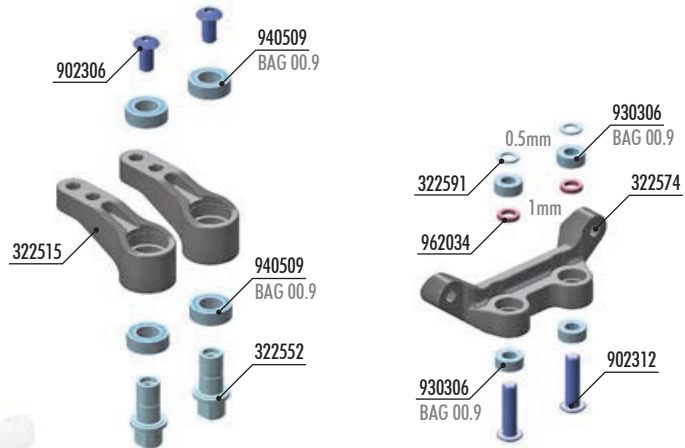
# 4. FRONT ASSEMBLY



#322575  
ALU STEERING PLATE FOR 1-PIECE  
CHASSIS - SET



#322516  
ALU STEERING ARM FOR 1-PIECE  
CHASSIS - SWISS 7075 T6 (2)



#321255-G  
COMPOSITE ELEVATED SIDE BRACES  
L+R - LONG - GRAPHITE



BAG

04

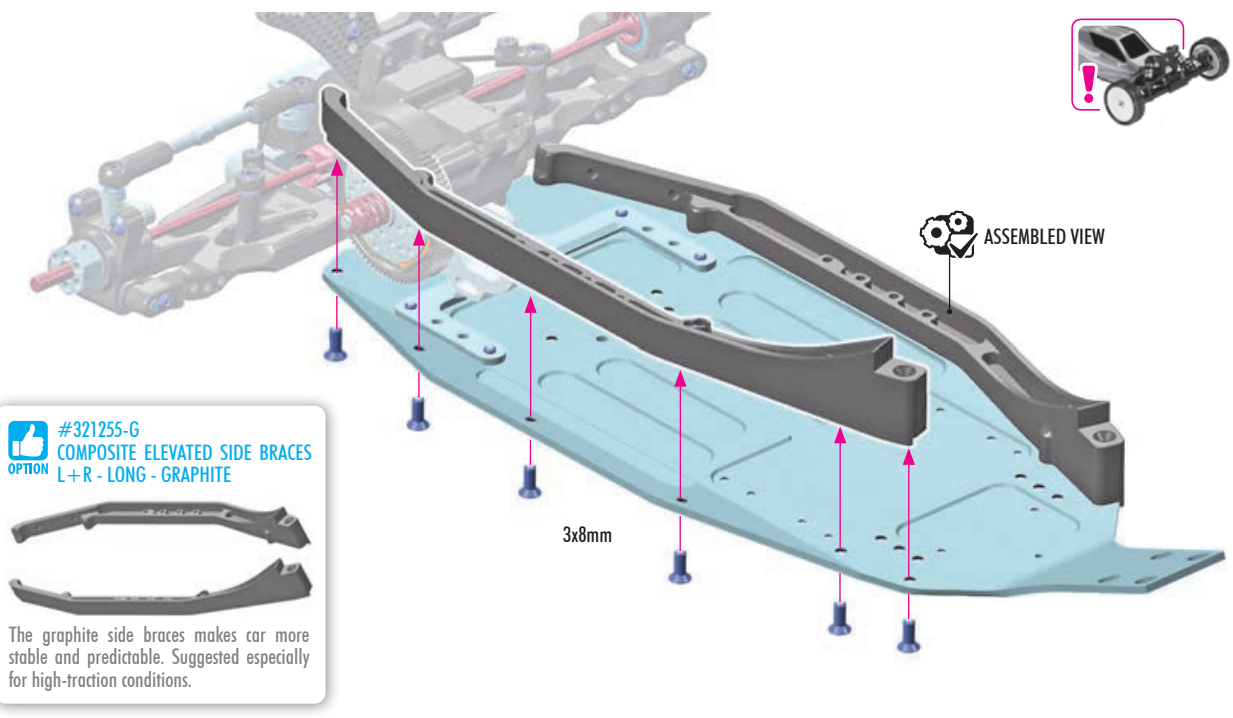
321255 COMPOSITE ELEVATED SIDE BRACES L+R - LONG  
322315 COMPOSITE FRONT LOWER ARM MOUNT FOR 1-PIECE CHASSIS  
322515 COMPOSITE STEERING ARM FOR 1-PIECE CHASSIS (2)  
322552 ALU STEERING PIVOT SHAFT 14.8mm - SWISS 7075 T6 (2)  
322574 COMPOSITE STEERING PLATE FOR 1-PIECE CHASSIS  
322591 ALU SHIM 3x4.7x0.5mm (10)

902306 HEX SCREW SH M3x6 (10)  
902308 HEX SCREW SH M3x8 (10)  
902312 HEX SCREW SH M3x12 (10)  
903308 HEX SCREW SFH M3x8 (10)  
930306 BALL-BEARING 3x6x2.5mm STEEL SEALED - OIL (2)  
940509 BALL-BEARING 5x9x3mm RUBBER SEALED - OIL (2)  
962034 STEEL WASHER S 3x4.7x1 (10)

# 4. FRONT ASSEMBLY



12x 903308  
SFH M3x8



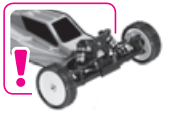
**#321255-G**  
**COMPOSITE ELEVATED SIDE BRACES**  
L+R - LONG - GRAPHITE



The graphite side braces makes car more stable and predictable. Suggested especially for high-traction conditions.

3x8mm

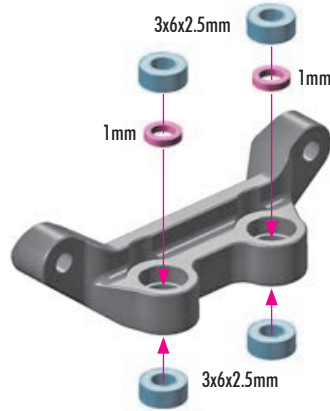
ASSEMBLED VIEW



2x 962034  
S 3x4.7x1



4x 930306  
BB 3x6x2.5



OPTION

### STEERING PLATES

#322574	HARD	INCLUDED
#322575	ALU	OPTION

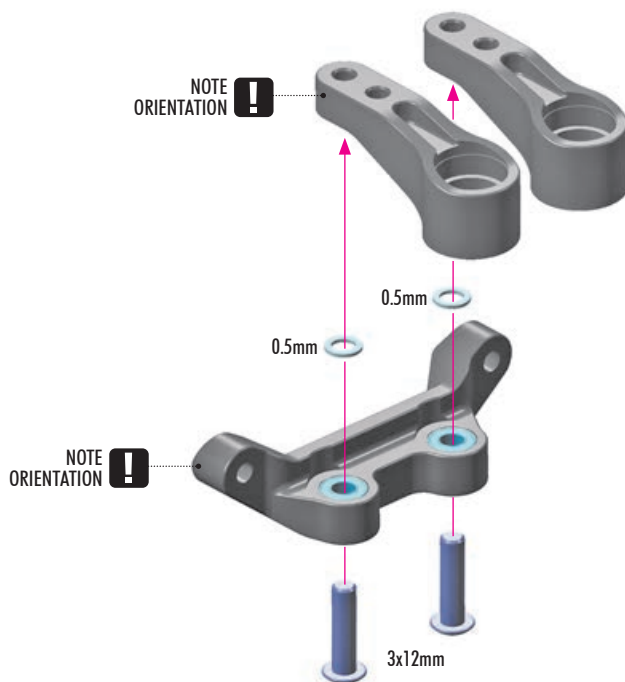


Alu steering plate increases strength and reliability as well improves precision and steering feel. There is also increased clearance around the system for easier maintenance & set-up adjustments.

2x 322591  
SHIM 3x4.7x0.5



2x 902312  
SH M3x12



NOTE ORIENTATION

NOTE ORIENTATION

3x12mm

OPTION

### STEERING ARMS

#322515	HARD	INCLUDED
#322516	ALU	OPTION



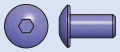
Alu steering arms increase strength and reliability as well improve precision and steering feel.

ASSEMBLED VIEW



CHECK FOR FREE MOVEMENT

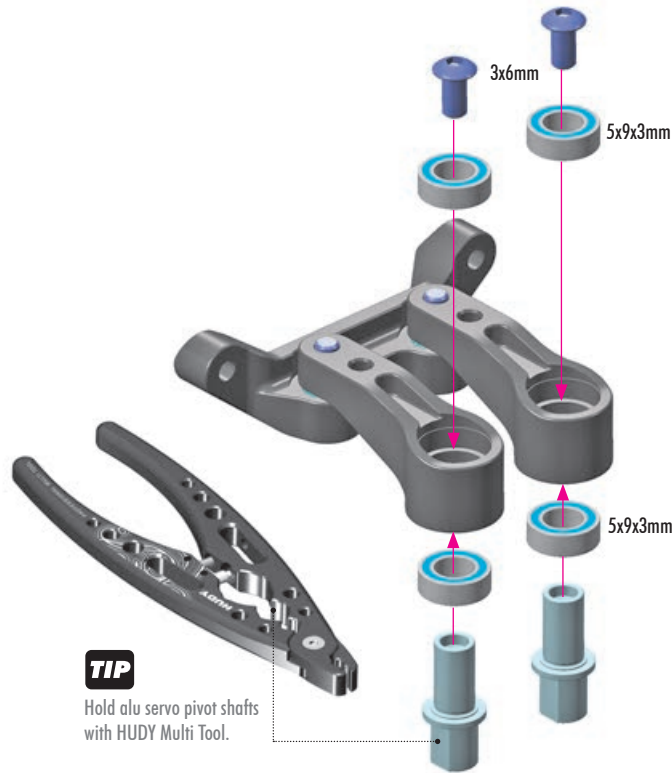
# 4. FRONT ASSEMBLY



2x 902306  
SH M3x6

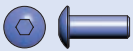


4x 940509  
BB 5x9x3

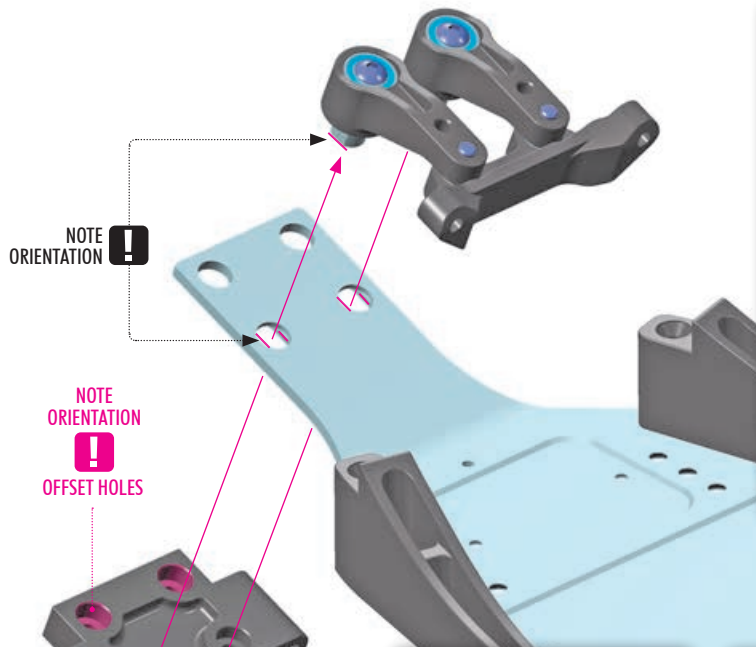


**TIP**

Hold alu servo pivot shafts with HUDY Multi Tool.



2x 902308  
SH M3x8



NOTE ORIENTATION

NOTE ORIENTATION  
OFFSET HOLES

3x8mm  
THREAD LOCK



### FRONT LOWER ARM MOUNTS

#322316	ALU 0°	OPTION
#322315	COMPOSITE 0°	INCLUDED
#322312	BRASS 0°	OPTION
#322317	ALU +3°/-3°	OPTION
#321211	SUSP. HOLDER BRACE +3°/-3°	OPTION



ARM MOUNTS - WEIGHT			
Composite	BRASS	ALU	ALU + Tungsten
6g	46g	13.5g	23.5g

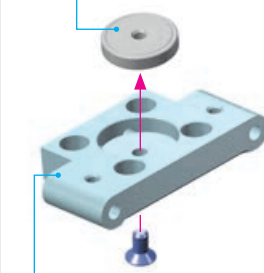
COMPOSITE - Generates more traction in front.

ALU - Makes car more stable.

BRASS - Adds more weight in front, less weight transfer.

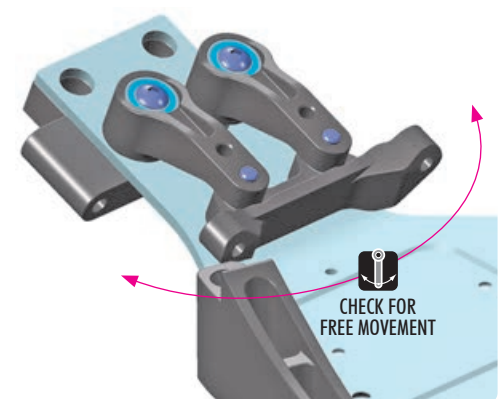
The alu arm mounts can be used with optional weight:

#293085  
HUDY Pure Tungsten Weight - 10g  
OPTION



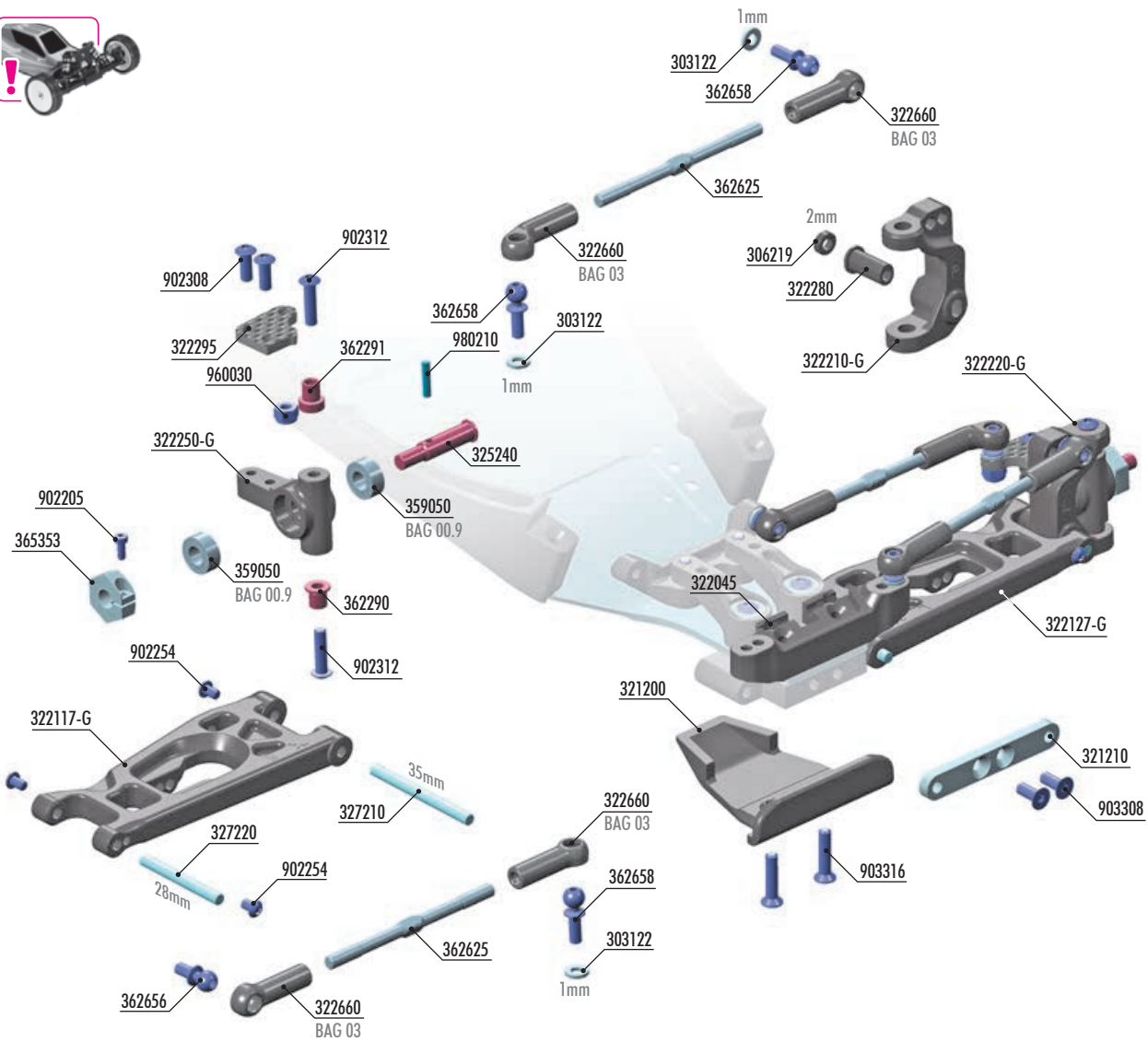
ALU FRONT LOWER ARM MOUNTS  
OPTION

ASSEMBLED VIEW

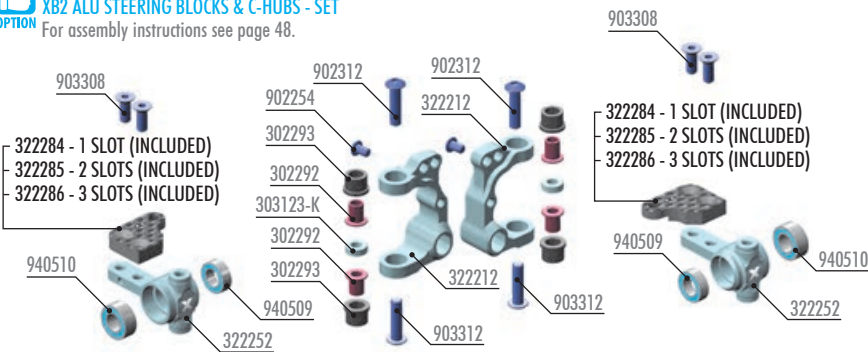


CHECK FOR FREE MOVEMENT

# 5. FRONT SUSPENSION



**#320904**  
**OPTION XB2 ALU STEERING BLOCKS & C-HUBS - SET**  
 For assembly instructions see page 48.



**ASSEMBLED VIEW**



**BAG**  
**05**

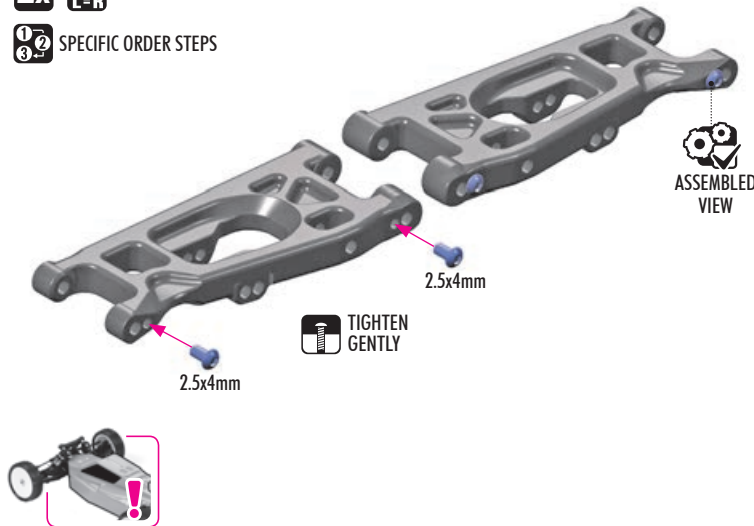
303122	ALU SHIM 3x6x1.0mm (10)	362290	STEEL STEERING BUSHING - SHORT (2)
306219	COMPOSITE SET OF SERVO SHIMS (4)	362291	STEEL STEERING BUSHING - LONG (2)
321200	COMPOSITE FRONT BUMPER	362625	ADJUSTABLE TURNBUCKLE 55mm M3.5 L/R - HUDY SPRING STEEL™ (2)
321210	ALU SUSPENSION HOLDER BRACE - SWISS 7075 T6 (3mm)	362656	BALL ENDS 5.4mm WITH THREAD 6mm (2)
322045	COMPOSITE FRONT ROLL-CENTER HOLDER FOR BRIDGE UPPER DECK	362658	BALL ENDS 5.4mm WITH THREAD 8mm (2)
322117-G	SUSPENSION ARM FRONT - LSM - RIGHT - SHORT - GRAPHITE	365353	ALU WHEEL HUB 12mm - 0 SLOTS (2)
322127-G	SUSPENSION ARM FRONT - LSM - LEFT - SHORT - GRAPHITE		
322210-G	COMPOSITE C-HUB 0° DEG. RIGHT - GRAPHITE	359050	BALL-BEARING 5x10x4 STEEL SEALED - GREASE (2)
322220-G	COMPOSITE C-HUB 0° DEG. LEFT - GRAPHITE	902205	HEX SCREW SH M2x5 (10)
322250-G	COMPOSITE STEERING BLOCK - GRAPHITE	902254	HEX SCREW SH M2.5x4 (10)
322280	COMPOSITE CASTER ECCENTRIC BUSHING (2+2+2)	902308	HEX SCREW SH M3x8 (10)
322295	CARBON EXTENSION FOR STEERING BLOCK - 2 DOTS (2)	902312	HEX SCREW SH M3x12 (10)
322660	COMPOSITE BALL JOINT 5.4mm (12+1+1)	903308	HEX SCREW SFH M3x8 (10)
325240	FRONT DRIVE AXLE - HUDY SPRING STEEL™	903316	HEX SCREW SFH M3x16 (10)
327210	FRONT SUSPENSION PIVOT PIN 3x35mm (2)	960030	NUT M3 (10)
327220	FRONT ARM PIVOT PIN 3x28mm (2)	980210	PIN 2x9.8 (10)



# 5. FRONT SUSPENSION

4x 902254  
SH M2.5x4

2x LEFT = RIGHT  
1 2 3 SPECIFIC ORDER STEPS



**FRONT LSM SUSPENSION ARMS - LONG**

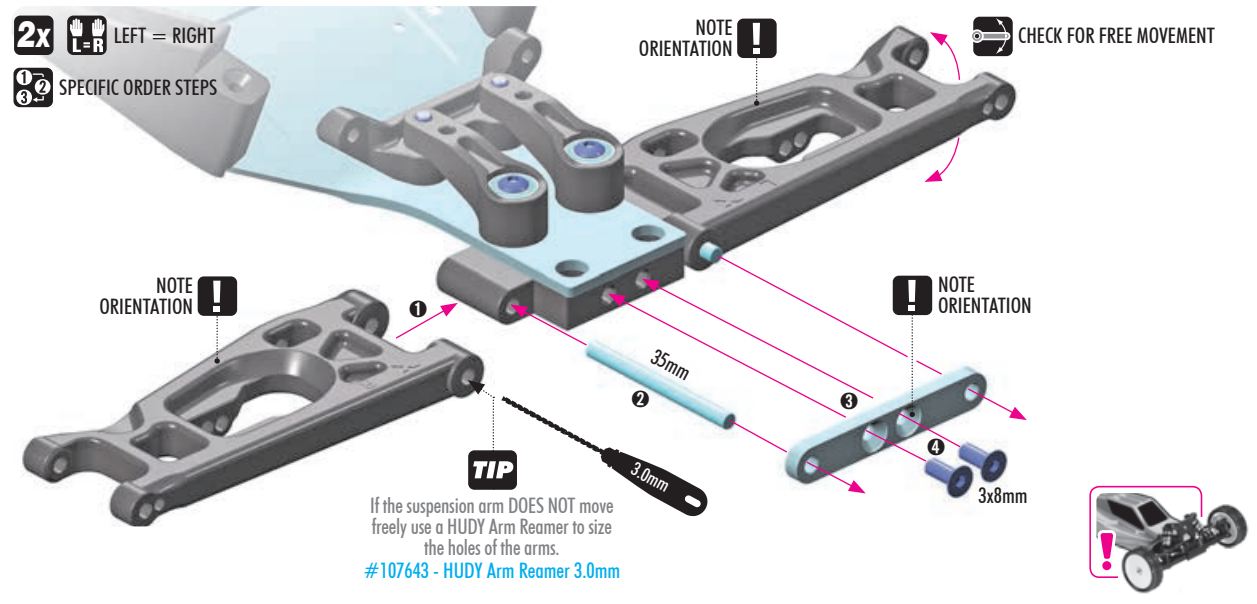
OPTION	#322113-M	RIGHT	MEDIUM	OPTION
	#322123-M	LEFT	MEDIUM	OPTION
	#322113-H	RIGHT	HARD	OPTION
	#322123-H	LEFT	HARD	OPTION

**FRONT LSM SUSPENSION ARMS - SHORT**

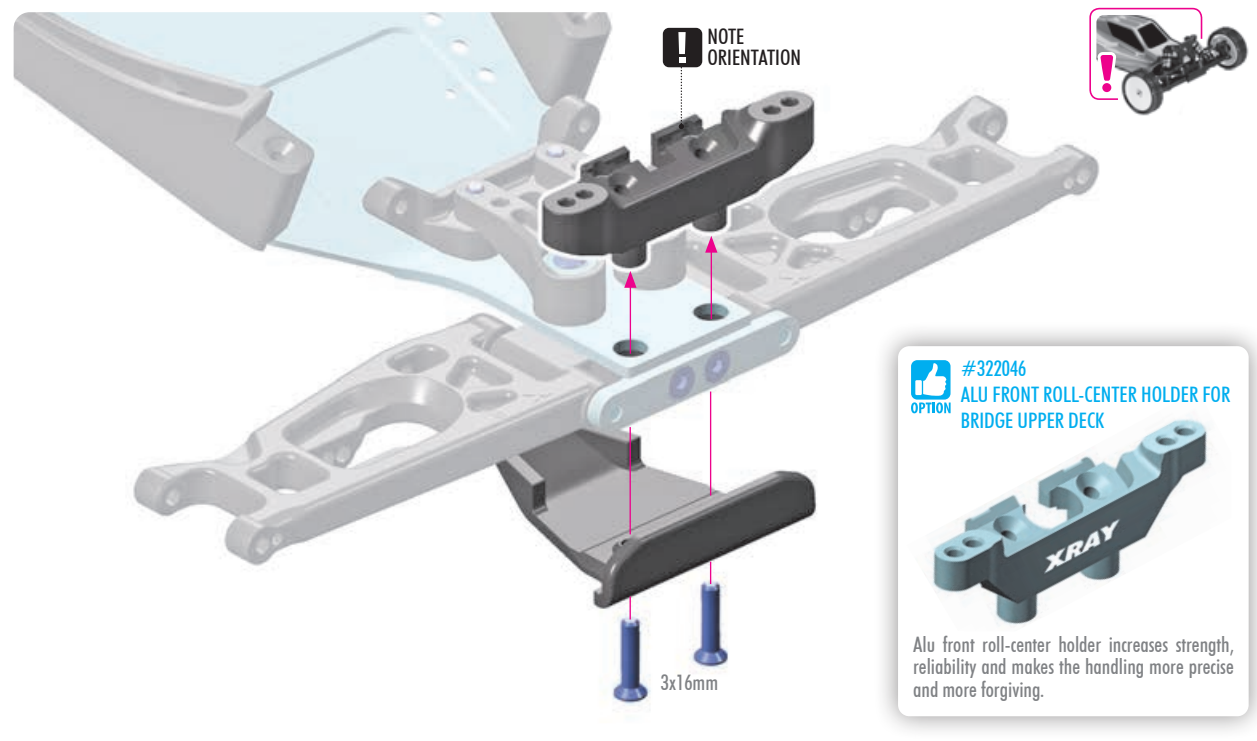
OPTION	#322117-M	RIGHT	MEDIUM	OPTION
	#322127-M	LEFT	MEDIUM	OPTION
	#322117-H	RIGHT	HARD	OPTION
	#322127-H	LEFT	HARD	OPTION
	#322117-G	RIGHT	GRAPHITE	INCLUDED
	#322127-G	LEFT	GRAPHITE	INCLUDED

2x 903308  
SFH M3x8

2x LEFT = RIGHT  
1 2 3 SPECIFIC ORDER STEPS



2x 903316  
SFH M3x16



**#322046**  
ALU FRONT ROLL-CENTER HOLDER FOR BRIDGE UPPER DECK



Alu front roll-center holder increases strength, reliability and makes the handling more precise and more forgiving.

# 5. FRONT SUSPENSION

- 4x 902308 SH M3x8
- 4x 940510 BB 5x10x4

**2x** LEFT = RIGHT

**1 2 3** SPECIFIC ORDER STEPS

STEEL covers

5x10x4mm

Steering block Extension 2 DOTS

3x8mm

STEEL covers

5x10x4mm

**NOTE ORIENTATION**

LEFT RIGHT

OUTSIDE INSIDE OUTSIDE

**OPTION**

STEERING BLOCK EXTENSIONS			
#322294	1 DOT	OPTION	
#322295	2 DOTS	INCLUDED	
#322296	3 DOTS	OPTION	

2 Dots  
Maximum steering 1 Dot 3 Dots Reduced steering

Steering angle of the outside wheel.

**OPTION**

STEERING BLOCKS		
#322250-M	MEDIUM	OPTION
#322250-H	HARD	OPTION
#322250-G	GRAPHITE	INCLUDED

MEDIUM - More steering on low traction.  
HARD - More free in corner on high traction.  
GRAPHITE - Less stopping in corner on high traction.

**OPTION**

XRAY BALL-BEARINGS			
#940510	5x10x4	OIL	OPTION
#359050	5x10x4	GREASE	INCLUDED

- 2x 902205 SH M2x5
- 2x 981210 P 2x10

**2x** LEFT = RIGHT

**1 2 3** SPECIFIC ORDER STEPS

2x10mm

TIGHTEN GENTLY

2x5mm

0 Slots

**OPTION**

WHEEL HEX HUBS 12MM			
#365360	+4.5mm	6 SLOTS	OPTION
#365359	+3.75mm	5 SLOTS	OPTION
#365358	+3.0mm	4 SLOTS	OPTION
#365357	+2.25mm	3 SLOTS	OPTION
#365356	+1.5mm	2 SLOTS	OPTION
#365355	+0.75mm	1 SLOT	OPTION
#365353	0mm	0 SLOTS	INCLUDED
#365354	-0.75mm	Lightw.	OPTION
#365361	-1.25mm	Lightw.	OPTION

- 4x 902312 SH M3x12

**2x** LEFT = RIGHT

**1 2 3** SPECIFIC ORDER STEPS

Longer

Shorter

3x12mm

NOTE ORIENTATION

**INITIAL SETTING**  
TOP = LONGER bushing  
BOTTOM = SHORTER bushing  
Recommended for smooth tracks to gain more steering.

**#320904**  
**OPTION**  
ALU STEERING BLOCKS & C-HUBS WITH BACKSTOP - SET

**OPTION**

C-HUBS			
#322210-M	RIGHT	MEDIUM	OPTION
#322210-H	RIGHT	HARD	OPTION
#322210-G	RIGHT	GRAPHITE	INCLUDED
#322220-M	LEFT	MEDIUM	OPTION
#322220-H	LEFT	HARD	OPTION
#322220-G	LEFT	GRAPHITE	INCLUDED

MEDIUM - For low traction. More steering on low traction.  
HARD - For medium traction. More steering, more free in corners.  
GRAPHITE - For high traction. More precise steering, less stopping in corners.

**ROLL CENTER ALTERNATIVE**

HIGHER LOWER

HIGHER LOWER

Longer

# 5. FRONT SUSPENSION

**IO**  
2x 306219  
SHIM 3x6x2

2x 902254  
SH M2.5x4

**INITIAL SETTING**  
2mm 2.5°

ASSEMBLED VIEW

28mm 2.5x4mm

Chassis KICK-UP 22° + Steering block CASTER 2.5° = Total CASTER 24.5°

**CASTER ADJUSTMENT**  
LESS CASTER = increased steering off-power  
MORE CASTER = less steering off-power

CASTER ECCENTRIC BUSHINGS

0° 2.5° 5°

INITIAL SETTING

REAR FRONT

CUTAWAY VIEW

## ROLL CENTER LINKS

2x LEFT = RIGHT

RIGHT THREAD SIDE LEFT THREAD SIDE

! SLOT ORIENTATION

LEFT THREAD RIGHT THREAD

Ball ø5.4mm

Thread 6mm

Thread 8mm

**TIP**  
Install with HUDY Multi Tool.

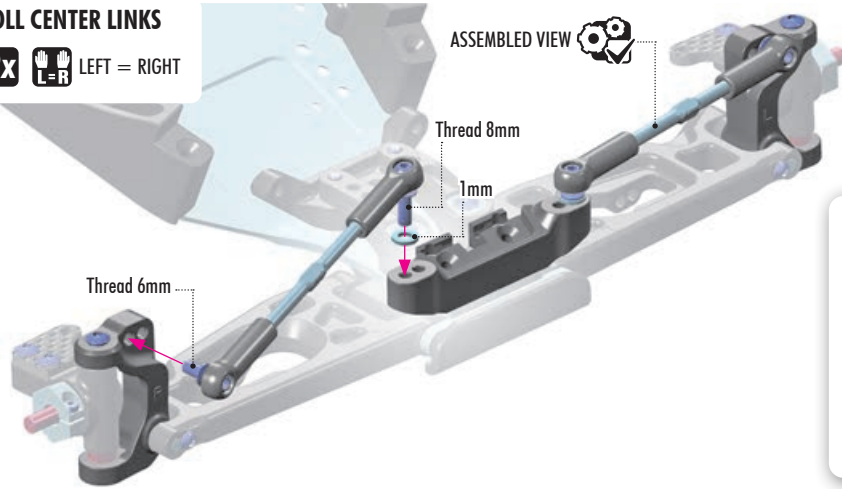
26.2mm 26.2mm

# 5. FRONT SUSPENSION

2x 303122 SHIM 3x6x1

## ROLL CENTER LINKS

2x L=R LEFT = RIGHT

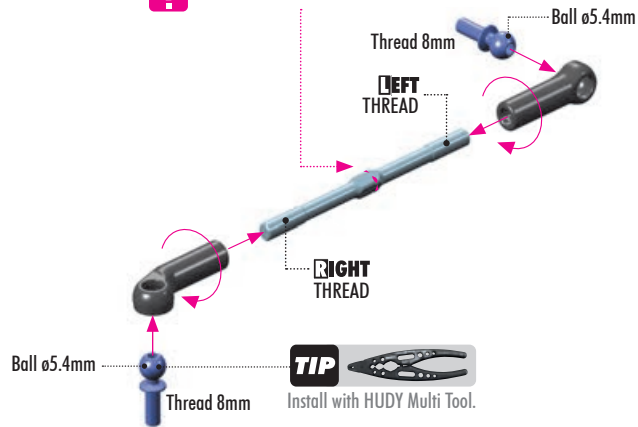


## STEERING LINKS

2x L=R LEFT = RIGHT



! SLOT ORIENTATION

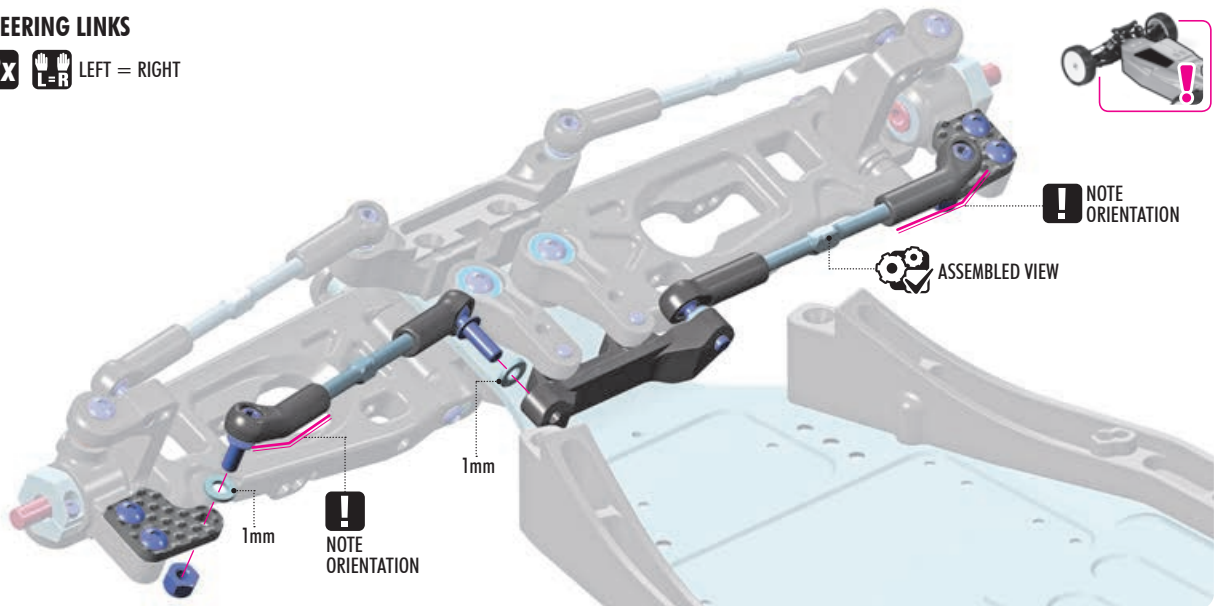


4x 303122 SHIM 3x6x1

2x 960030 NUT M3

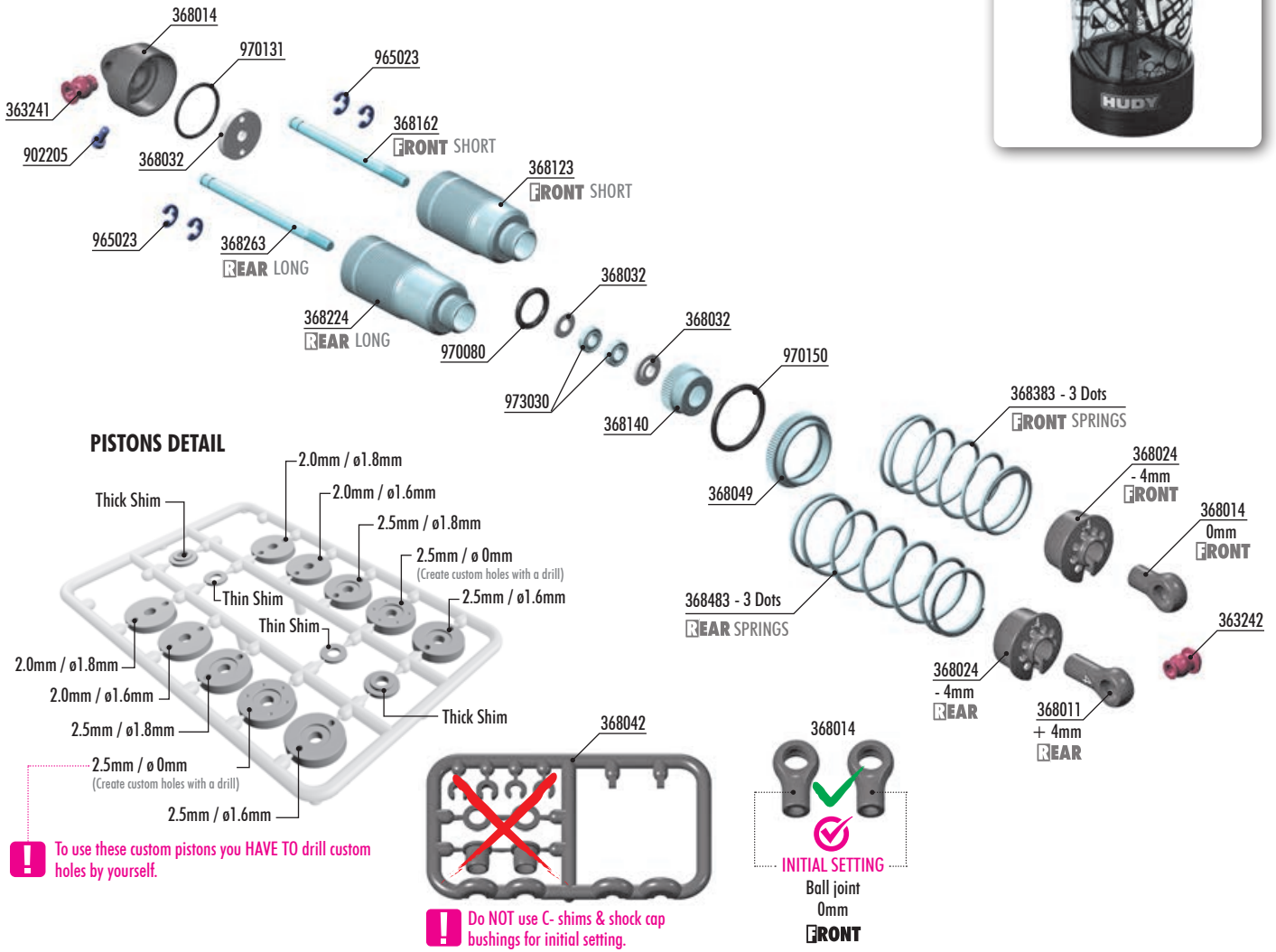
## STEERING LINKS

2x L=R LEFT = RIGHT

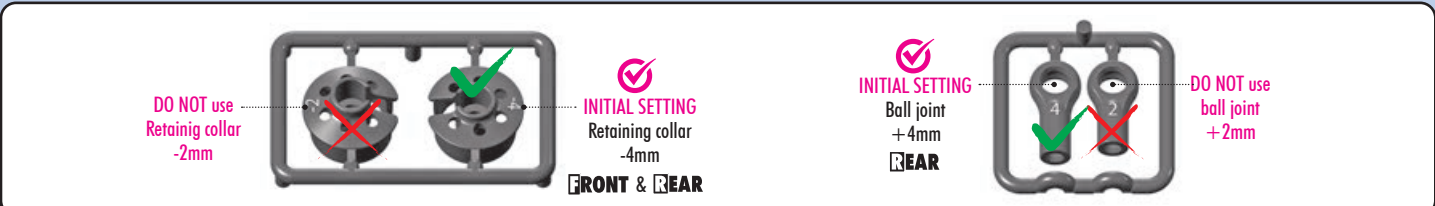


# 6. SHOCK ABSORBERS

FRONT SPRINGS				REAR SPRINGS					
	#368381	L=42.5mm	1 DOTS	OPTION		#368481	L=57.5mm	1 DOTS	OPTION
	#368382	L=42.5mm	2 DOTS	OPTION		#368482	L=57.5mm	2 DOTS	OPTION
	#368382	L=42.5mm	2 DOTS	OPTION		#368482	L=57.5mm	2 DOTS	OPTION
	#368383	L=42.5mm	3 DOTS	INCLUDED		#368483	L=57.5mm	3 DOTS	INCLUDED
	#368384	L=42.5mm	4 DOTS	OPTION		#368484	L=57.5mm	4 DOTS	OPTION
	#368385	L=42.5mm	5 DOTS	OPTION		#368485	L=57.5mm	5 DOTS	OPTION



BAG 06			
363241	BALL UNIVERSAL 5.75mm WITH BACKSTOP (2)	368202	REAR SHOCK ABSORBERS 35.5mm - BIG BORE - SET (2)
363242	PIVOT BALL 5.8mm ECCENTRIC (2)	368224	ALU REAR SHOCK BODY 35.5mm - BIG BORE (2)
368014	COMP. SHOCK CAP, SPRING COLLAR & BALL JOINT - BIG BORE (2)	368263	REAR HARDENED SHOCK SHAFT 45mm (2)
368032	SHOCK PISTONS - COMPLETE SET - DELRIN - BIG BORE	902205	HEX SCREW SH M2x5 (10)
368042	COMPOSITE SHOCK BUSHING & SHIM (2+2)	965023	E-CLIP 2.3 (10)
368049	ALU SHOCK ADJUSTABLE NUT - BIG BORE (2)	970080	O-RING 8x1 (10)
368102	FRONT SHOCK ABSORBERS 30mm - BIG BORE - SET (2)	970131	O-RING 13 x 1.0 (10)
368123	ALU FRONT SHOCK BODY 30mm - BIG BORE (2)	970150	O-RING 15 x 1.5 (10)
368140	ALU LOWER SHOCK BODY CAP (2)	973030	SILICONE X-RING PRE-OILED 3x2 (8)
368162	FRONT HARDENED SHOCK SHAFT 40mm (2)		



BAG 06.1			
368011	COMPOSITE SHOCK BALL JOINT +2mm & +4mm (2+2)	368383	FRONT CONICAL SPRING-SET L=42.5mm - 3 DOTS (2)
368024	COMPOSITE SPRING COLLAR -2MM & -4MM - BIG BORE (2+2)	368483	REAR CONICAL SPRING-SET L=57.5mm - 3 DOTS (2)

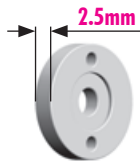
# 6. SHOCK ABSORBERS

## PISTONS ALTERNATIVE 1

We recommend for these types of surfaces and traction levels:

- CARPET

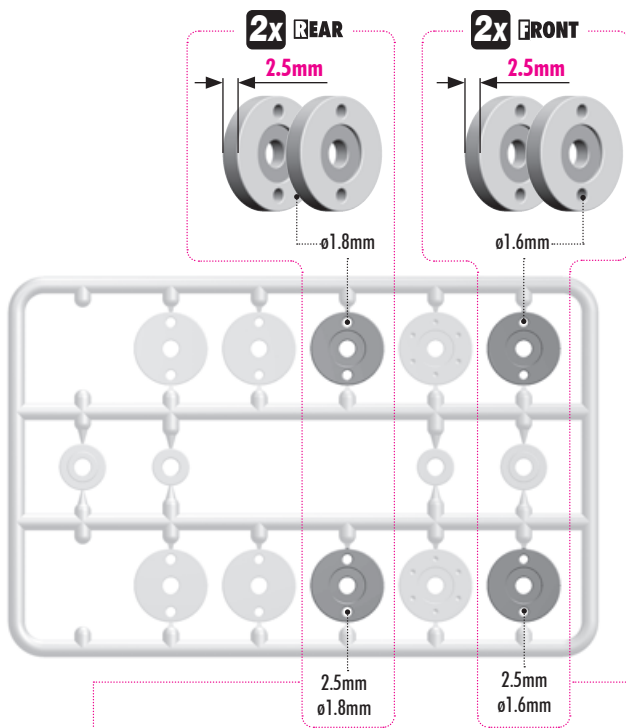
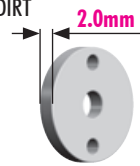
### INITIAL PISTON SETTING



## PISTONS ALTERNATIVE 2

We recommend for these types of surfaces and traction levels:

- ASTRO
- DIRT



**#368033**  
PRECISION GROUND SHOCK PISTON  
BLANKS 2.5MM - BIG BORE (4)



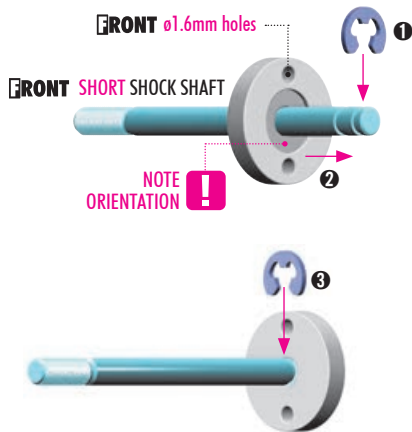
**#368034**  
PRECISION GROUND SHOCK  
PISTON BLANKS 2.0MM - BIG BORE (4)



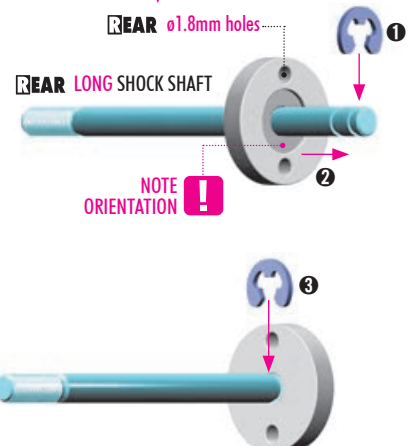
Big Bore piston blanks 2.0mm or 2.5mm thick for individual custom modification. All pistons are made from Delrin and are molded using ultra-high precision moulds and afterwards precisely ground for perfectly finished surface for smoother operation.

8x 965023  
C2.3

2x FRONT



2x REAR



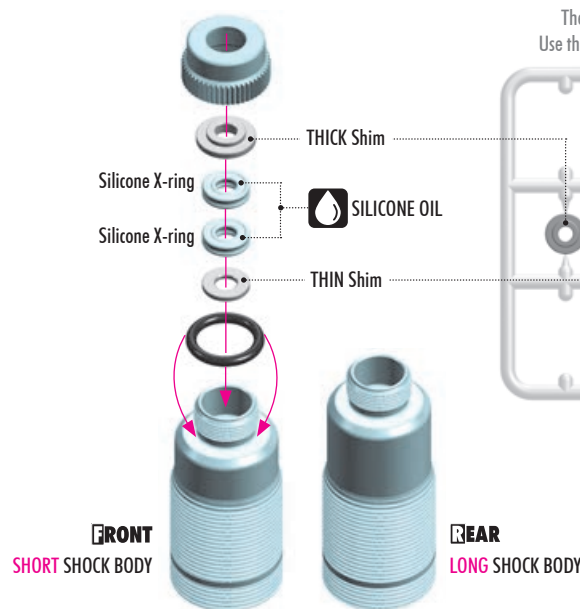
ASSEMBLED VIEW

4x 970080  
Ø 8x1

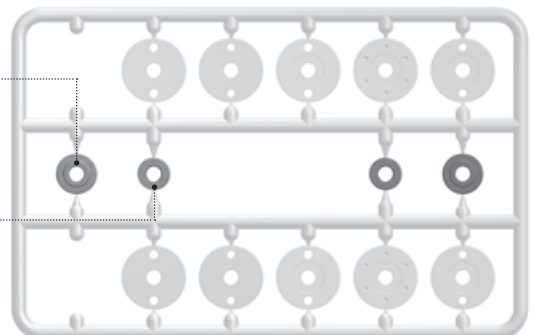
8x 973030  
X 3x2

2x FRONT

2x REAR



There are two different thickness shims, use them as shown. Use the same procedure when building both front and rear shocks.



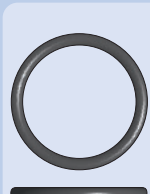
## 6. SHOCK ABSORBERS

**2x FRONT**   **2x REAR**

**EXTREMELY IMPORTANT**

**INCORRECT**   **CORRECT**

**DO NOT PUSH** the shock rod straight through the lower shock body assembly; X-ring damage may result.



4x 970150  
Ø 15x1.5

**4x**

OIL

Install the pivot balls with #183011 HUDY Multi Tool

**REAR 2x** +4mm

**FRONT 2x** 0mm

**IMPORTANT** ECCENTRIC PIVOT BALL IN LOWER Ball Joint

**20mm FRONT**

**25mm REAR**

**Check that Front and Rear shock pairs are the same overall length.**



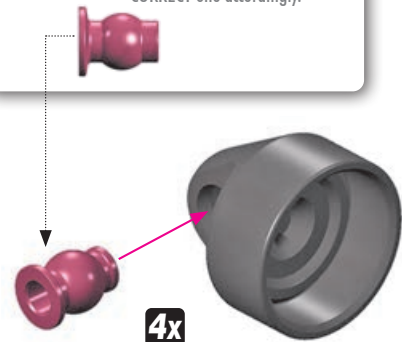
4x 970131  
Ø 13x1

**4x**

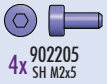
#368054  
ALU SHOCK CAP-NUT - BIG BORE (2)  
OPTION

Alu upper shock cap ensure increased durability and extended life time. Machined from premium Swiss 7075 T6 aluminum and additionally black coated. The shock caps feature vent hole.

**IMPORTANT** There are two different pivot ball designs. Make sure to use the CORRECT one accordingly.



# 6. SHOCK ABSORBERS



**FRONT SHORT**  
Oil 300cSt

**REAR LONG**  
Oil 300cSt

## INITIAL SHOCK REBOUND SETTING 0% REBOUND INITIAL SETTING

Follow the steps below to set the shock rebound to the default setting of 0%.

- 1** Extend the shock shaft completely. Fill the shock body with the shock oil. For the **FRONT** shocks (short) use 300cSt oil. For the **REAR** shocks (long) use 300cSt oil.
- 2** Move the shock shaft up and down a few times to release the air bubbles trapped beneath the piston. 3~5x UP & DOWN
- 3** Orient the filled shock vertically for several minutes with the shock shaft fully extended. The remaining air bubbles will release.
- 4** Gently place the shock cap onto the filled shock body and start to tighten the cap. Tighten the cap fully. TIGHTEN FULLY
- 5** Gently push the shock shaft completely into the shock body. Excess oil will flow through the hole in the shock cap.
- 6** Keep the shock shaft pushed in the shock body and insert the screw into the shock cap. Tighten gently. 2x5mm
- 7** 6x push the shaft up and down. 6x UP & DOWN
- 8** Untighten the screw.
- 9** Gently push the shock shaft completely into the shock body. Excess oil will flow through the hole in the shock cap.
- 10** Tighten the screw. The rebound will be at approx. 0%.

**2x FRONT**  
**2x REAR**

**NOTE ORIENTATION OF SPRINGS**

WIDE SIDE on TOP

NARROW SIDE on BOTTOM

**FRONT SHORT** 0mm

**FRONT SHORT Springs** 3 Dots

**FRONT Retaining collar** -4mm

**REAR LONG** +4mm

**REAR LONG Springs** 3 Dots

**REAR Retaining collar** -4mm

**#368021** ALU SHOCK SPRING RET. COLLAR (4) **OPTION**

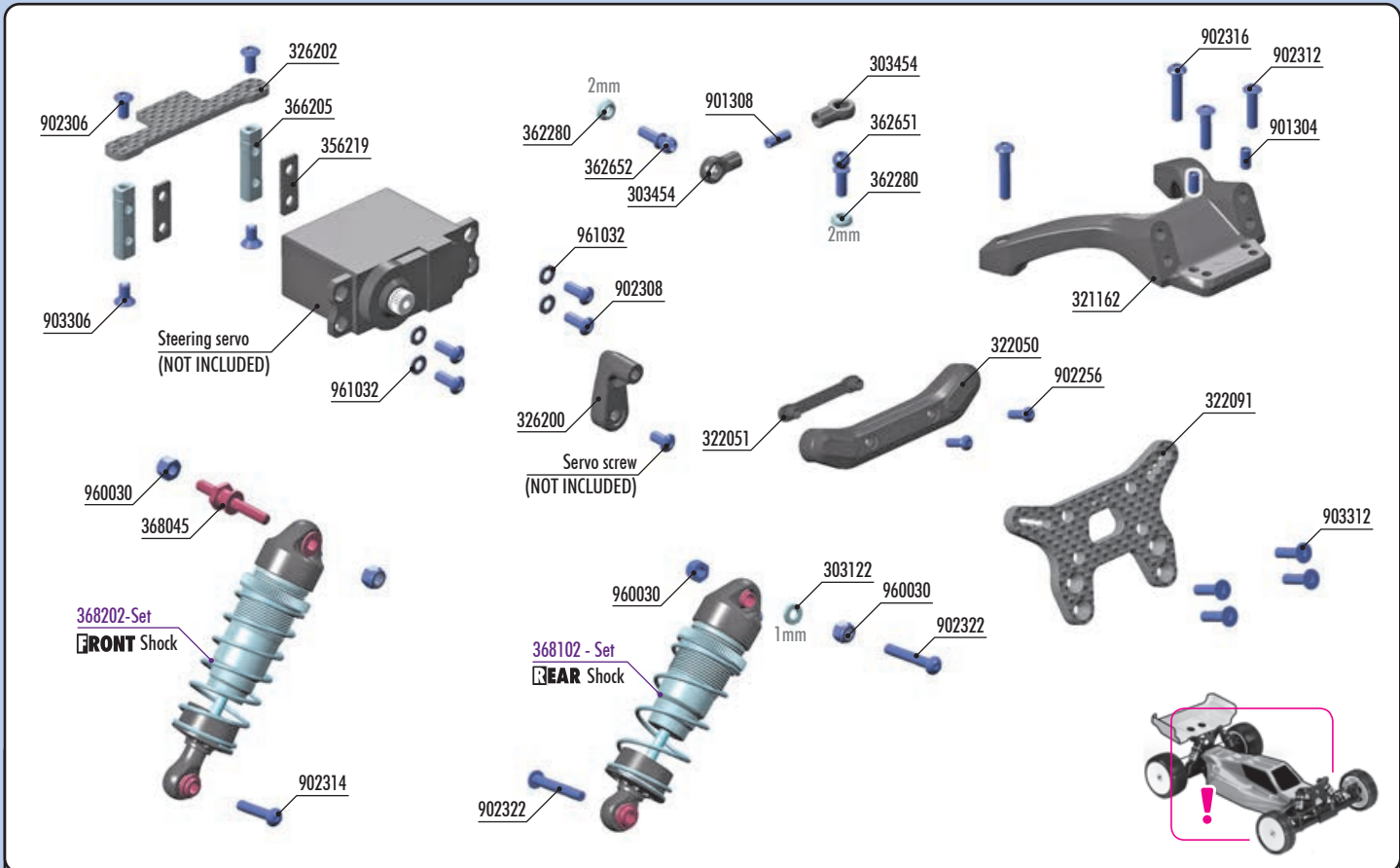
**#368022** ALU SHOCK SPRING RET. COLLAR -2mm (4) **OPTION**

**#368023** ALU SHOCK SPRING RET. COLLAR -4mm (4) **OPTION**

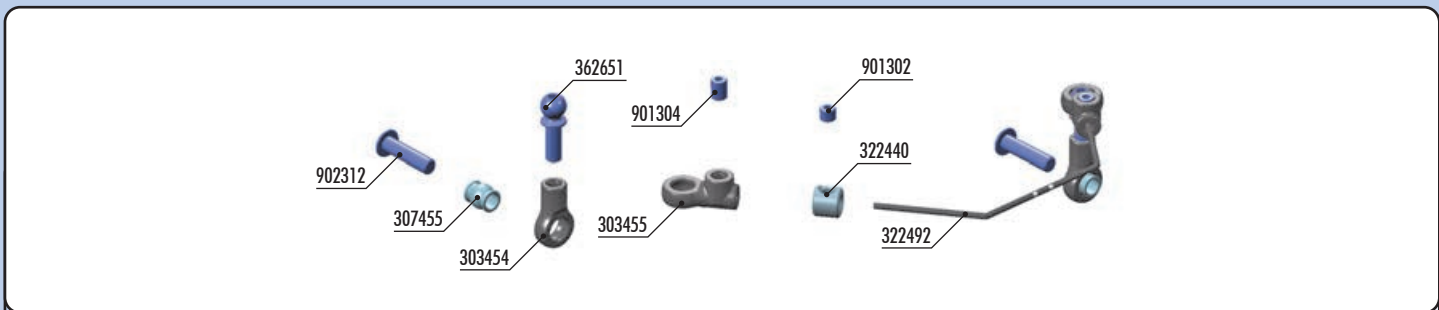
Set of lower aluminum shock collars for increased reliability. Stylish and lightweight collars are CNC-machined from premium Swiss 7075 T6 aluminum and are strategically lightened. Set of four. Black color.



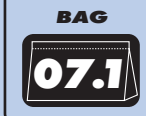
# 7. FINAL ASSEMBLY



303122	ALU SHIM 3x6x1.0mm (10)	362652	BALL END 4.9mm WITH THREAD 10mm (2)	902322	HEX SCREW SH M3x22 (10)
303454	BALL JOINT 4.9mm - OPEN (4)	366205	ALU SERVO MOUNT 22mm	903306	HEX SCREW SFH M3x6 (10)
321162	COMP. FRONT BRIDGE UPPER DECK	368045	STEEL SCREW SHOCK PIVOT BALL (2)	903312	HEX SCREW SFH M3x12 (10)
322050	COMP. FRONT SHOCK TOWER PROTECTOR			960030	NUT M3 (10)
322051	COMP. FRONT SHOCK TOWER INSERT (2)			961032	WASHER S 3.2 (10)
322091	CARBON SHOCK TOWER - 2-DOTS - FRONT	901308	HEX SCREW SB M3x8 (10)		
326200	COMP. STEERING SERVO ARMS - EXT. - 23T + 25T	902256	HEX SCREW SH M2.5x6 (10)		
326202	ALU SERVO HOLDERS & CARBON BRIDGE	902306	HEX SCREW SH M3x6 (10)		
356219	COMP. SERVO SHIMS 1.0, 1.5 & 2.5mm (2+2+2)	902308	HEX SCREW SH M3x8 (10)		
362280	ALU CONICAL SHIM 3x6x2.0mm (10)	902312	HEX SCREW SH M3x12 (10)		
362651	BALL END 4.9mm WITH THREAD 8mm (2)	902314	HEX SCREW SH M3x14 (10)		
		902316	HEX SCREW SH M3x16 (10)		
				368102	FRONT SHOCK ABSORBERS 30mm - BIG BORE - SET (2)
				368202	REAR SHOCK ABSORBERS 35.5mm- BIG BORE - SET (2)



<b>XB2 FRONT ANTI-ROLL BAR SET</b>		322492	ANTI-ROLL BAR FRONT FOR BRIDGE UPPER DECK - 1.2mm
303454	COMPOSITE BALL JOINT 4.9mm - OPEN (4)	362651	BALL ENDS 4.9mm WITH THREAD 8mm (2)
303455	COMPOSITE ANTI-ROLL BAR BALL JOINT 4.9mm (4)	901302	HEX SCREW SB M3x2.5 (10)
307455	PIVOT BALL 4.9mm DOUBLE BEVEL SHOULDERS (10)	901304	HEX SCREW SB M3x4 (10)
322440	ALU ANTI-ROLL BAR COLLAR	902312	HEX SCREW SH M3x12 (10)



<b>XB2 FINAL ASSEMBLY SET</b>		901308	HEX SCREW SB M3x8 (10)
362390	ALU REAR SHOCK ABSORBER ADAPTER (1 + 1) - SET	902312	HEX SCREW SH M3x12 (10)
		903308	HEX SCREW SFH M3x8 (10)

# 7. FINAL ASSEMBLY

1x 901308 SB M3x8

Ball ø4.9mm  
Thread 10mm  
3x8mm  
Ball ø4.9mm  
Thread 8mm  
1.5mm  
4mm

Adjust the servo links length according to the type of servo.

2x 902306 SH M3x6  
4x 902308 SH M3x8  
4x 961032 SHIM S 3.2

3x6mm  
Standard size servo. (NOT INCLUDED)  
We recommend using a low profile servo. (NOT INCLUDED)  
3.2mm  
3x8mm  
Thread 10mm  
Thread 8mm  
Servo screw (NOT INCLUDED)

OPTION #293421 ALU CLAMP STEER. SERVO HORN EXTENDED 8mm - 23T  
OPTION #293422 ALU CLAMP STEER. SERVO HORN EXTENDED 8mm - 25T  
Alu clamp steer. servo horn increase reliability & strength.

Use appropriate servo shims: 1.0 / 1.5 / 2.5mm

Use appropriate servo arm: 23T / 25T

Use appropriate servo shims: 1.0 / 1.5 / 2.5mm

1x 362280 CON. SHIM 3x6x2  
2x 903306 SFH M3x6

2mm CONICAL SHIM  
3x6mm

Hole position according to servo type.

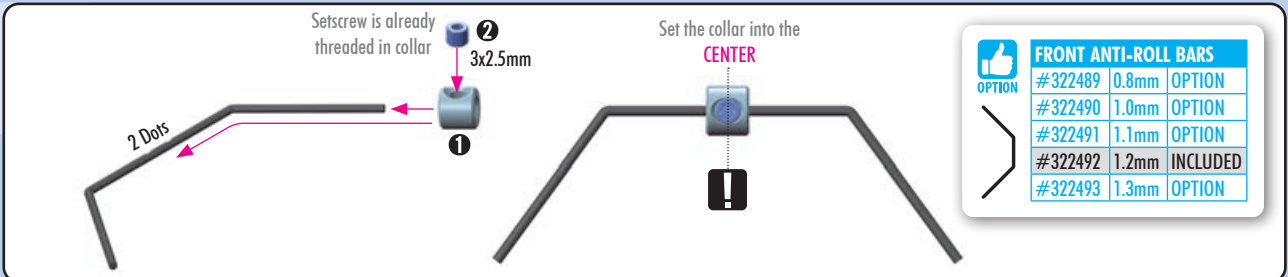
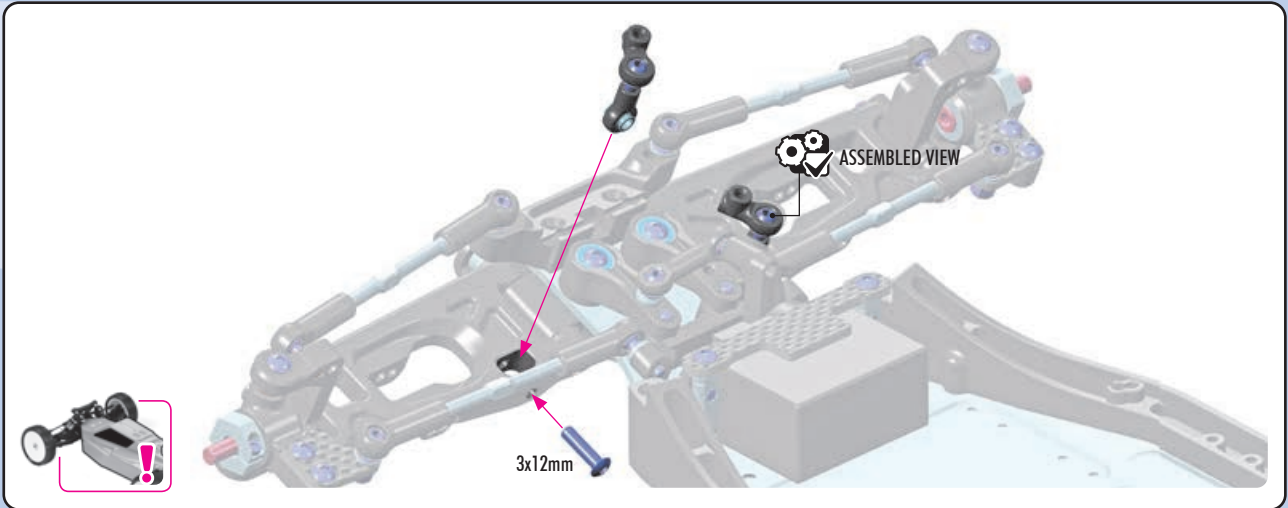
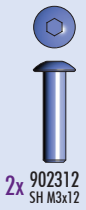
BAG 03.1

2x  
Ball ø4.9mm  
Thread 8mm

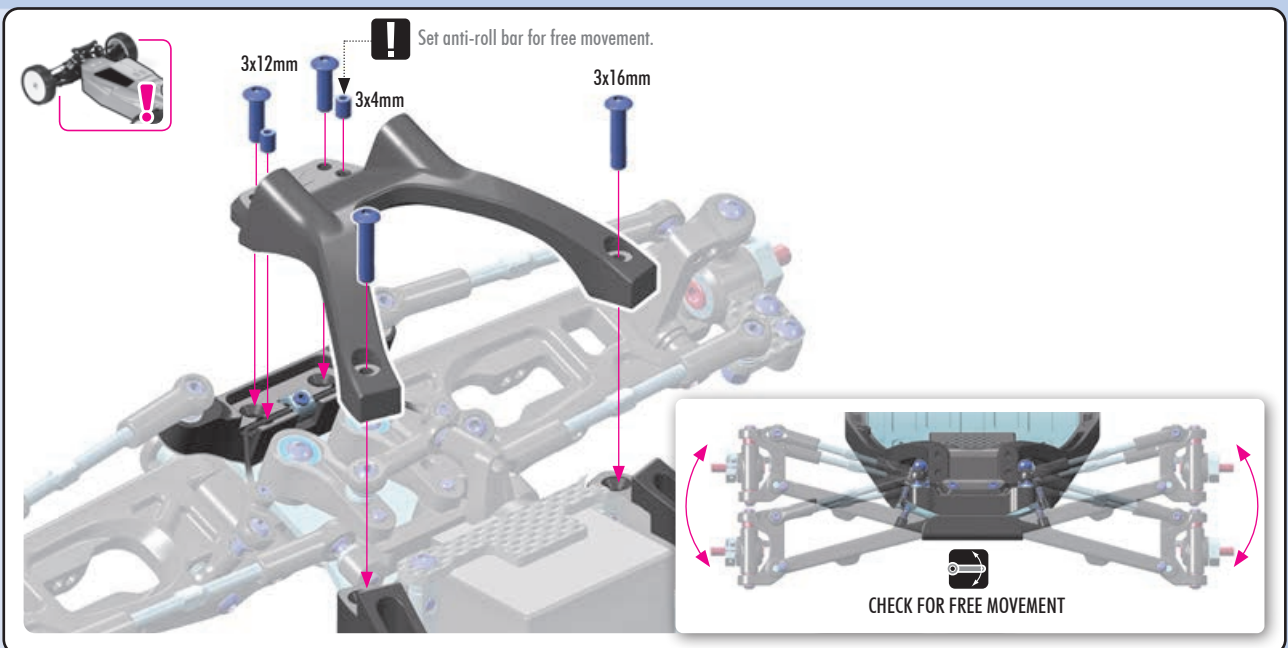
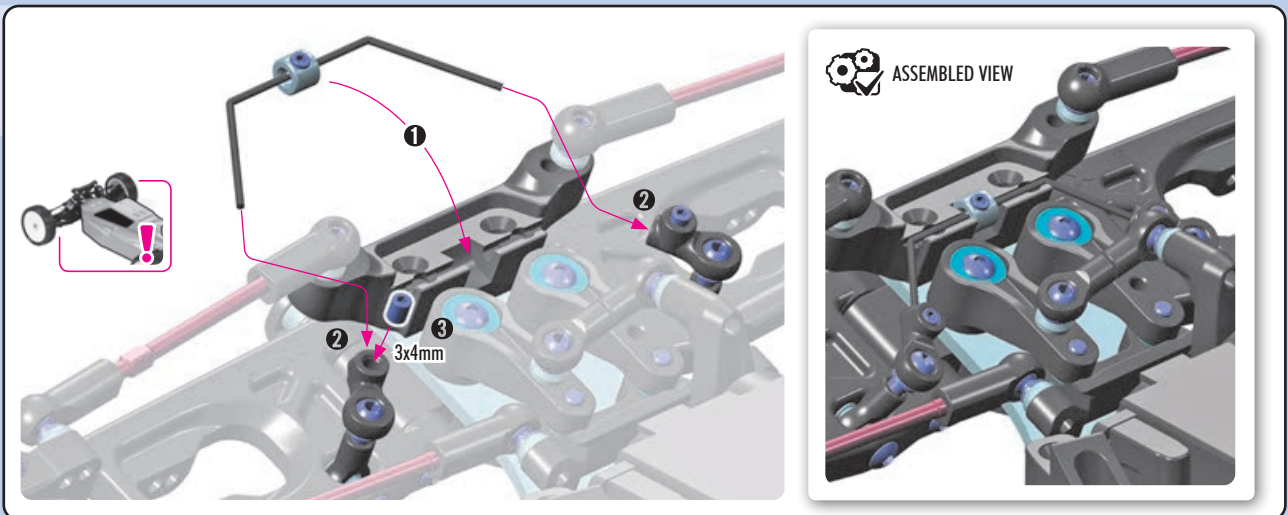
TIP Install with HUDY Multi Tool.

4mm

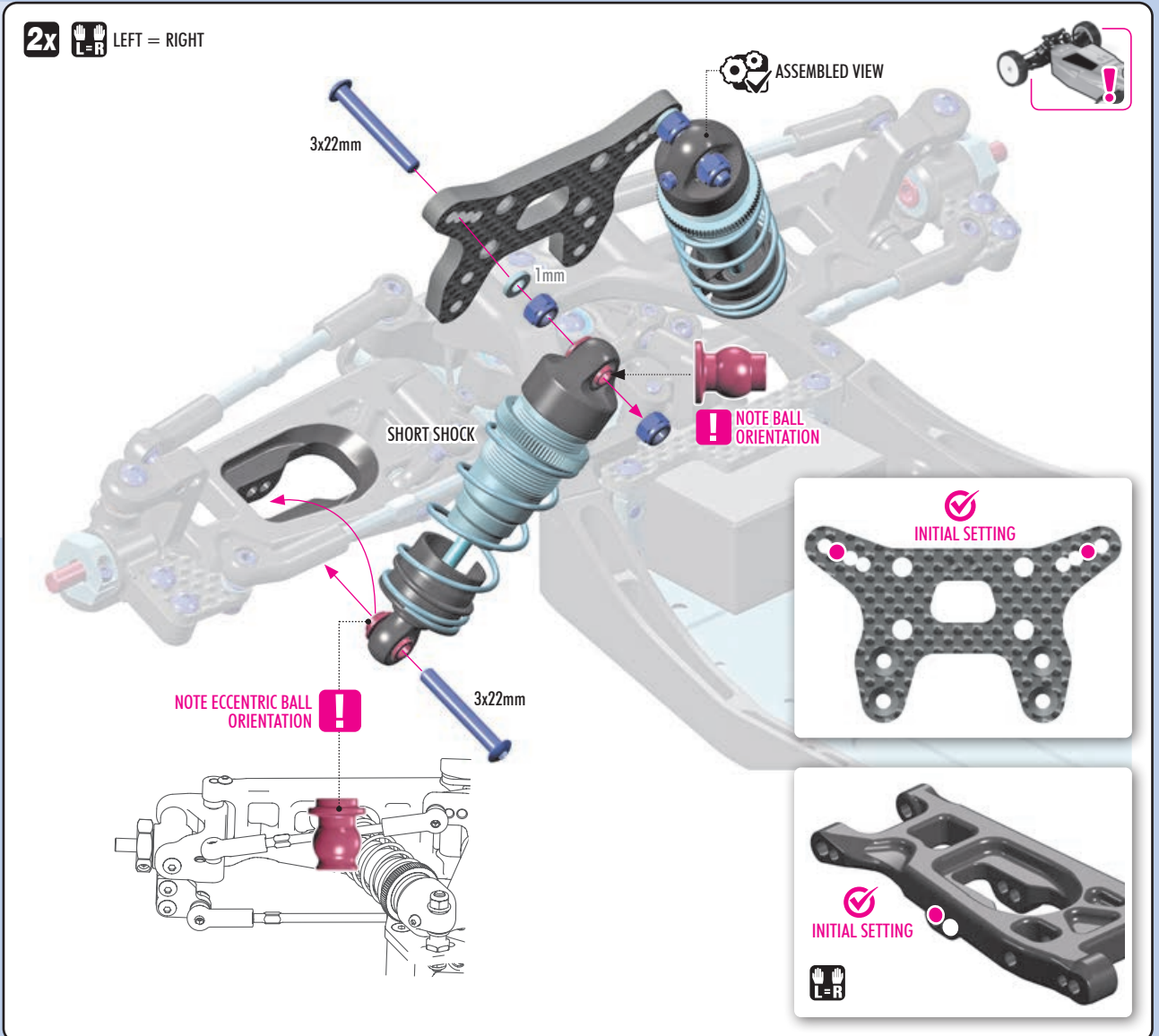
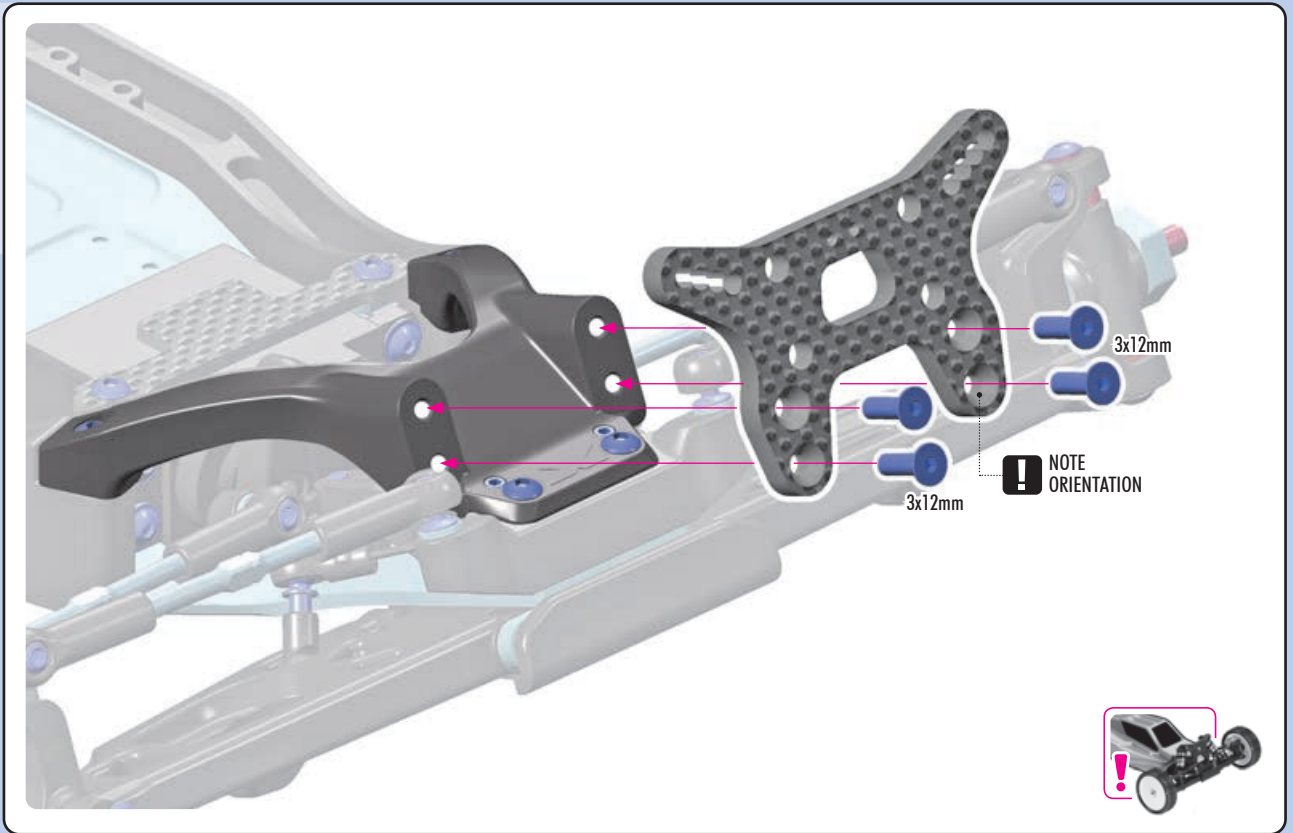
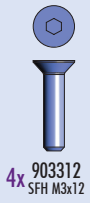
# 7. FINAL ASSEMBLY



FRONT ANTI-ROLL BARS		
#322489	0.8mm	OPTION
#322490	1.0mm	OPTION
#322491	1.1mm	OPTION
#322492	1.2mm	INCLUDED
#322493	1.3mm	OPTION

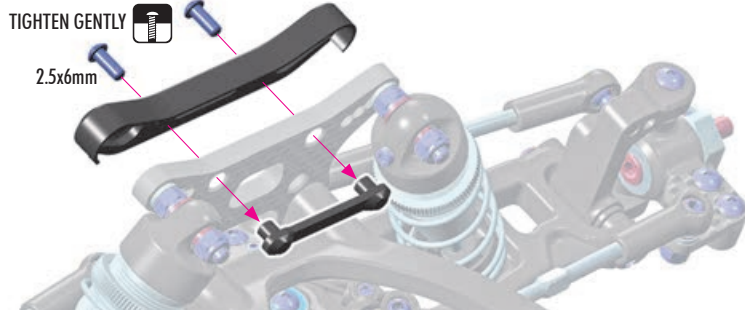


# 7. FINAL ASSEMBLY



# 7. FINAL ASSEMBLY

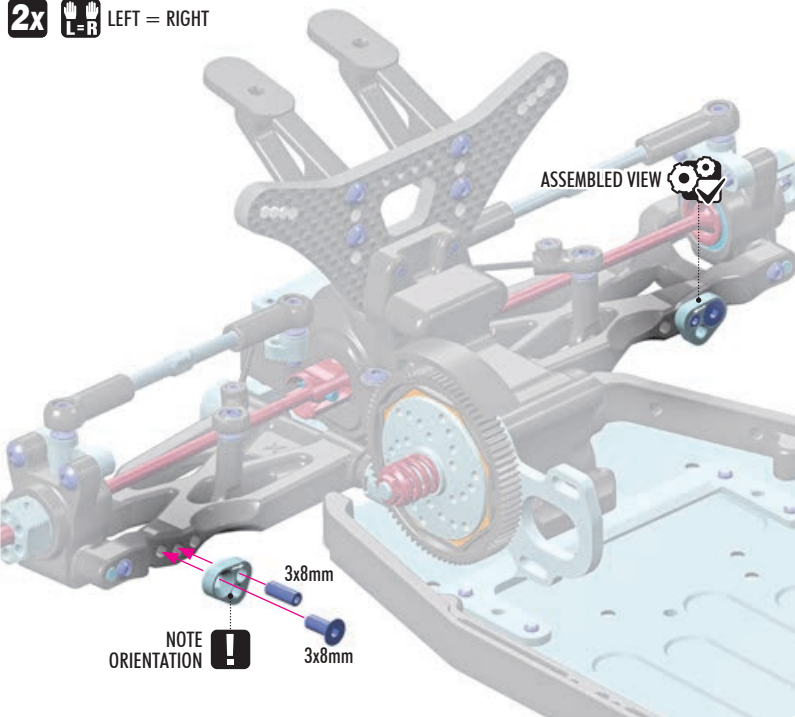
- 2x 902256 SH M2.5x6



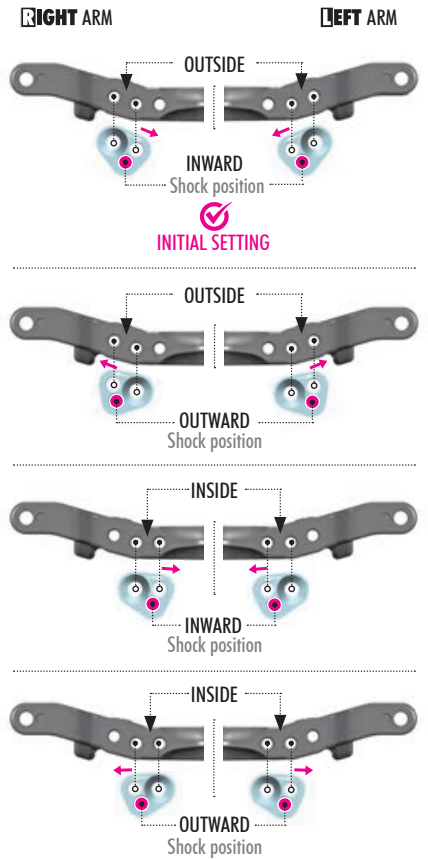
- 1x 901308 SB M3x8

- 2x 903308 SFH M3x8

2x LEFT = RIGHT



## SHOCK POSITION ALTERNATIVES

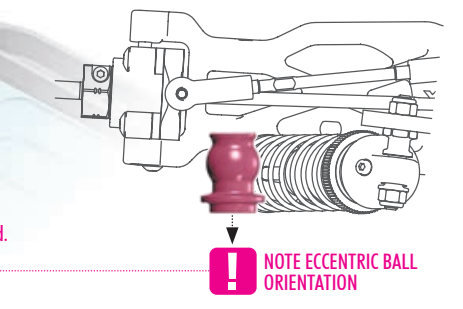
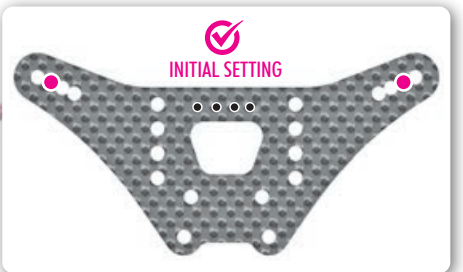
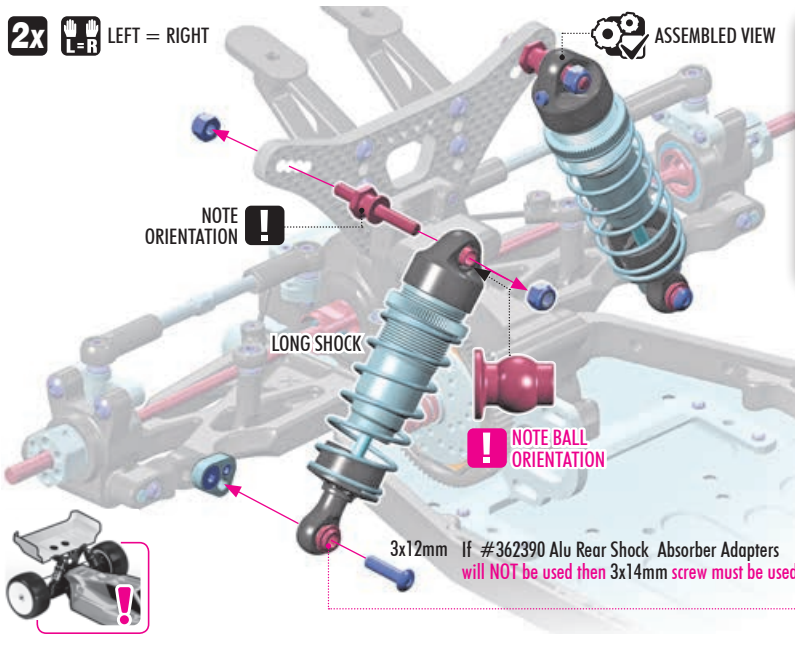


- 2x 902312 SH M3x12

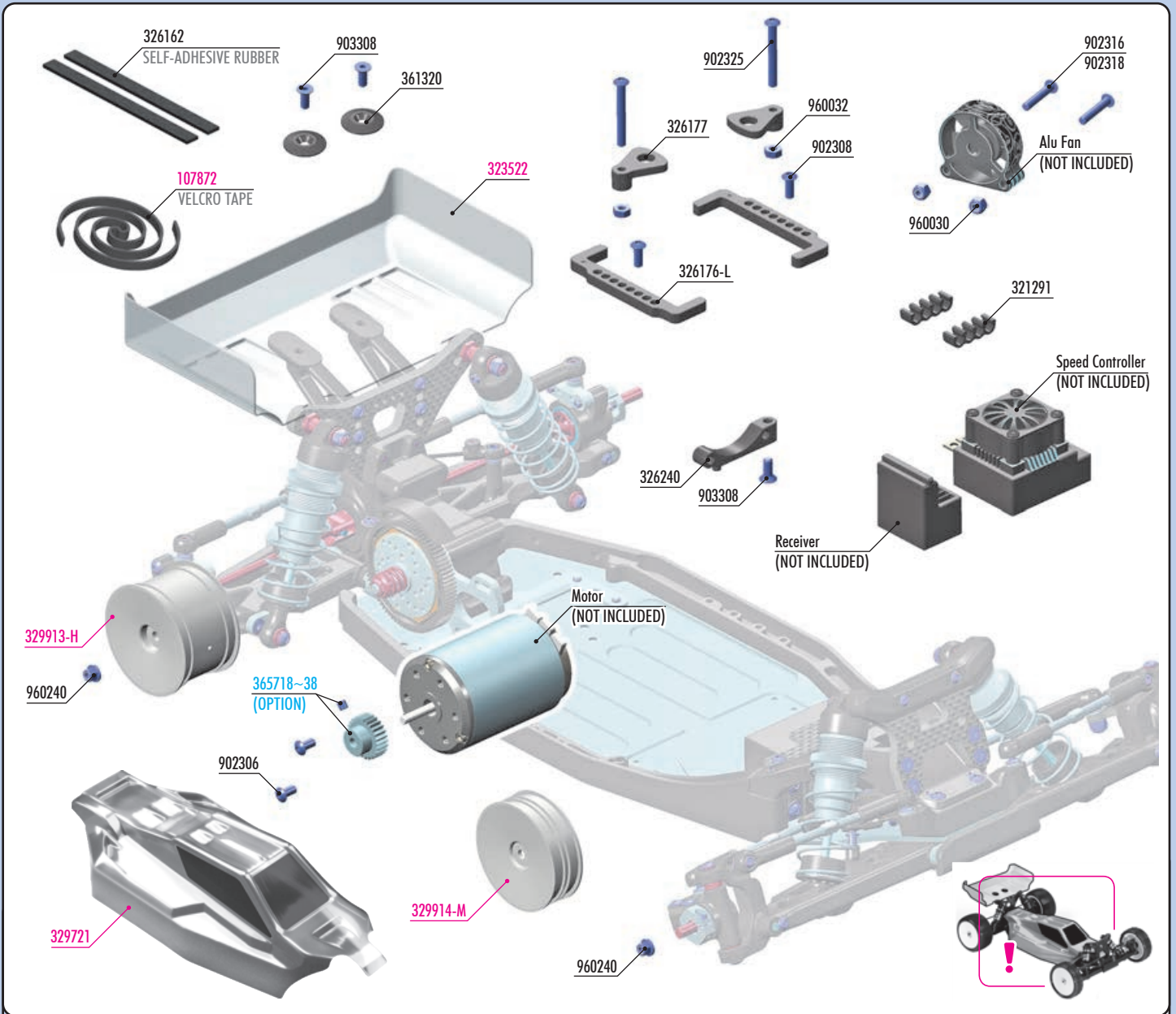
- 0x 902314 SH M3x14

- 4x 960030 NUT M3

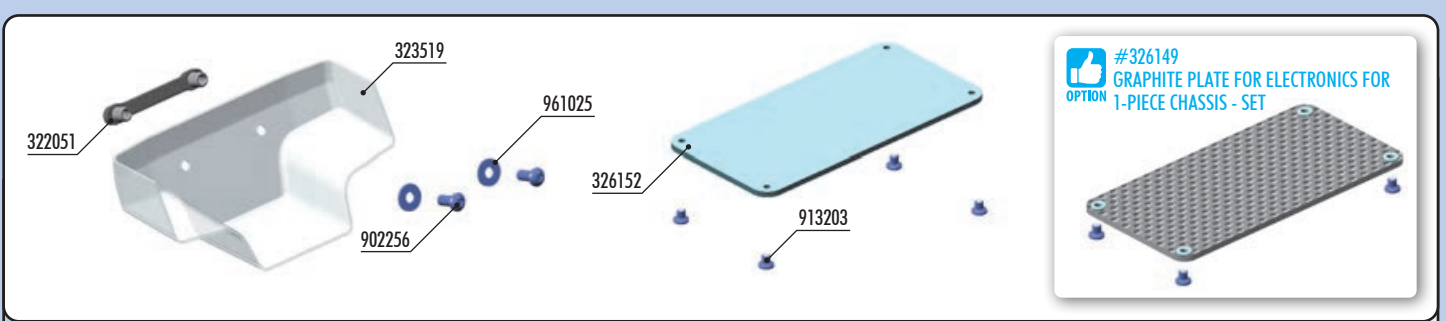
2x LEFT = RIGHT



# 7. FINAL ASSEMBLY



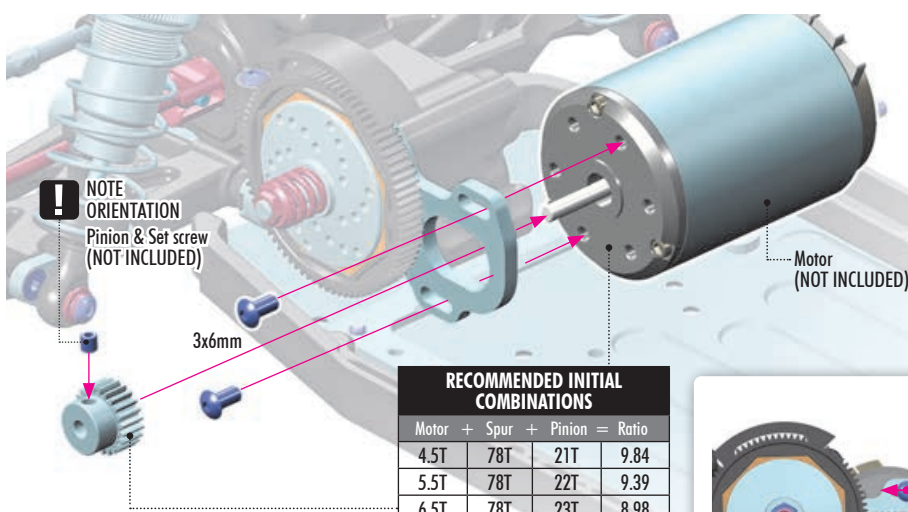
365718~365738	PINION GEAR HARDCOATED 18~38T/48P (OPTION)	902318	HEX SCREW SH M3x18 (10)
321291	COMPOSITE 5-WIRES HOLDER - SET	902325	HEX SCREW SH M3x25 (10)
326162	SELF-ADHESIVE RUBBER 1.5x6.5x155mm (2)	903308	HEX SCREW SFH M3x8 (10)
326176-L	COMPOSITE LIPO BATTERY HOLDER - LONG (2+2)	960030	NUT M3 (10)
326177	COMPOSITE BATTERY CLAMP (2)	960032	NUT M3 (10)
326240	COMPOSITE FAN HOLDER	960240	NUT M4 WITH SERRATED FLANGE (10)
361320	BODY MOUNT, BATTERY MOUNT - V2 & WING SHIM (2)	107872	VELCRO TAPE WITH DOUBLE SIDED TAPE 8x500mm
902306	HEX SCREW SH M3x6 (10)	323522	LEXAN REAR WING - LUSH
902308	HEX SCREW SH M3x8 (10)	329721	BODY FOR 1/10 2WD OFF-ROAD BUGGY - EPSILON 2C - LIGHT
902316	HEX SCREW SH M3x16 (10)	329913-H	REAR WHEEL AERODISK WITH 12MM HEX IFMAR - WHITE - HARD (2)
		329914-M	2WD FRONT SLIM WHEEL AERODISK WITH NARROW OFFSET - WHITE (2)



<b>XB2 FINAL ASSEMBLY SET</b>		902256	HEX SCREW SH M2.5x6 (10)
322051	COMPOSITE FRONT SHOCK TOWER INSERT (2)	913203	HEX SCREW 110° SFH M2x3 (10)
323519	LEXAN FRONT WING - WIDE - RIBBED	961025	WASHER S 2.5 (10)
326152	STAINLESS STEEL WEIGHT FOR ELECTRONICS 1-PIECE CHASSIS 30G		

# 7. FINAL ASSEMBLY

2x 902306  
SH M3x6



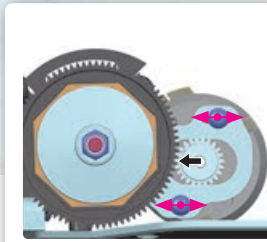
**GEAR RATIO** Final Drive Ratio  
 $78 : X \times 2.65 = \text{FDR}$   
(Spur) (Pinion) (IGR)

**NOTE ORIENTATION**  
Pinion & Set screw  
(NOT INCLUDED)

3x6mm

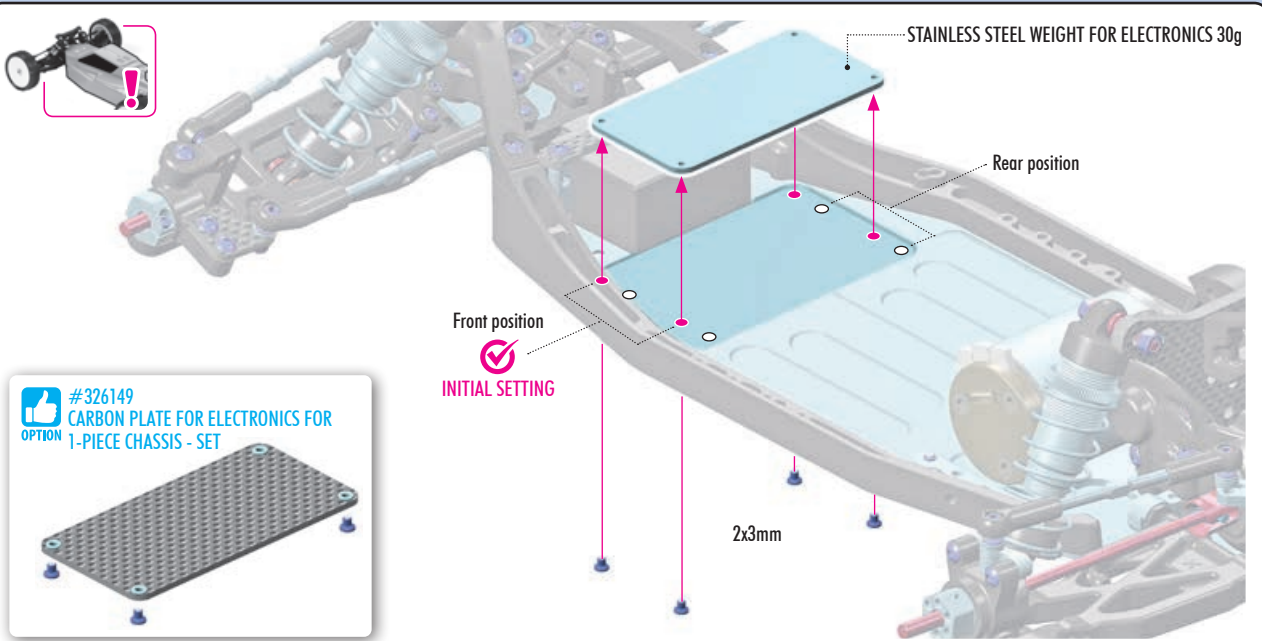
Motor  
(NOT INCLUDED)

RECOMMENDED INITIAL COMBINATIONS				
Motor	+	Spur	+	Pinion = Ratio
4.5T		78T		21T 9.84
5.5T		78T		22T 9.39
6.5T		78T		23T 8.98
7.5T		78T		24T 8.61
8.5T		78T		25T 8.26
13.5T		72T		28T 6.81
17.5T		72T		32T 5.96



**GEAR MESH**  
Adjust the motor so the pinion meshes with the spur gear properly. Make sure the gear mesh is NOT too tight.  
  
There should be a small amount of play between the teeth of the pinion gear and the spur gear.

4x 913203  
SFH M2x3



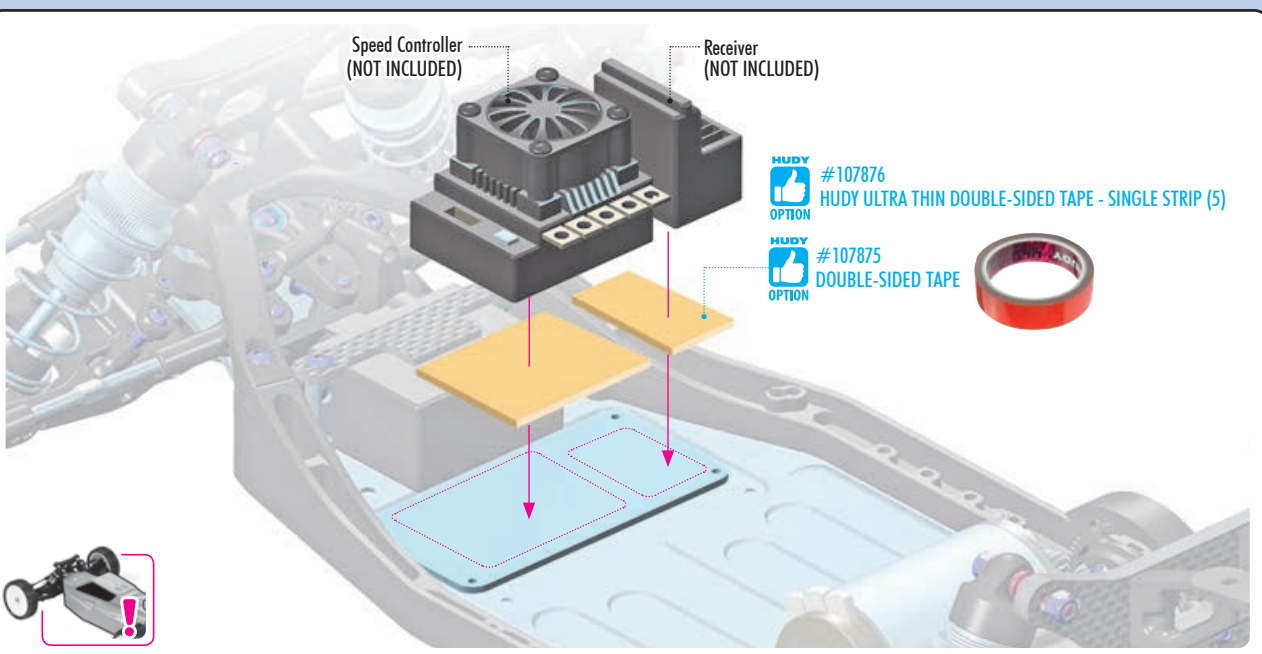
STAINLESS STEEL WEIGHT FOR ELECTRONICS 30g

Rear position

Front position  
**INITIAL SETTING**

2x3mm

#326149  
CARBON PLATE FOR ELECTRONICS FOR 1-PIECE CHASSIS - SET  
OPTION



Speed Controller  
(NOT INCLUDED)

Receiver  
(NOT INCLUDED)

#107876  
HUDY ULTRA THIN DOUBLE-SIDED TAPE - SINGLE STRIP (5)  
OPTION

#107875  
DOUBLE-SIDED TAPE  
OPTION

# 7. FINAL ASSEMBLY



2x 902308  
SH M3x8

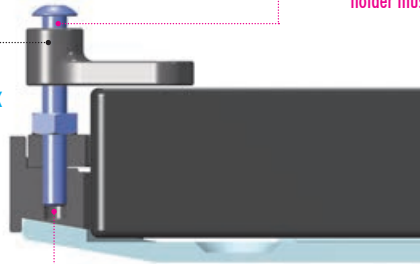


2x 902325  
SH M3x25



2x 960032  
NUT M3

**NOTE ORIENTATION**  
for **LOW BATTERY PACK**



**!** To ensure correct functioning of the battery holder, **DO NOT** overtighten the screw; the holder must be able to move.

**NOTE ORIENTATION**  
for **STANDARD BATTERY PACK**



**!** **DO NOT** overtighten the screw to avoid side guard damage.

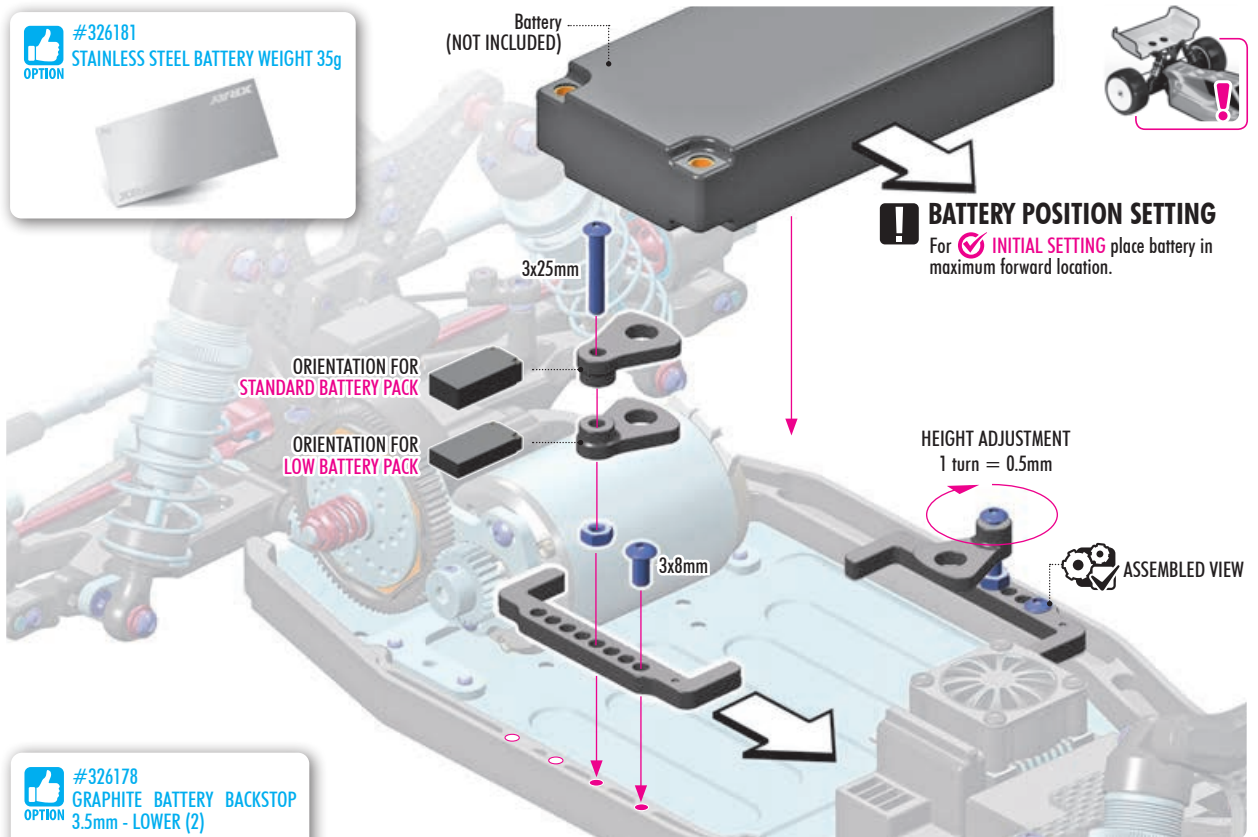


Battery  
(NOT INCLUDED)



**BATTERY POSITION SETTING**

For **INITIAL SETTING** place battery in maximum forward location.



#326178  
OPTION GRAPHITE BATTERY BACKSTOP 3.5mm - LOWER (2)



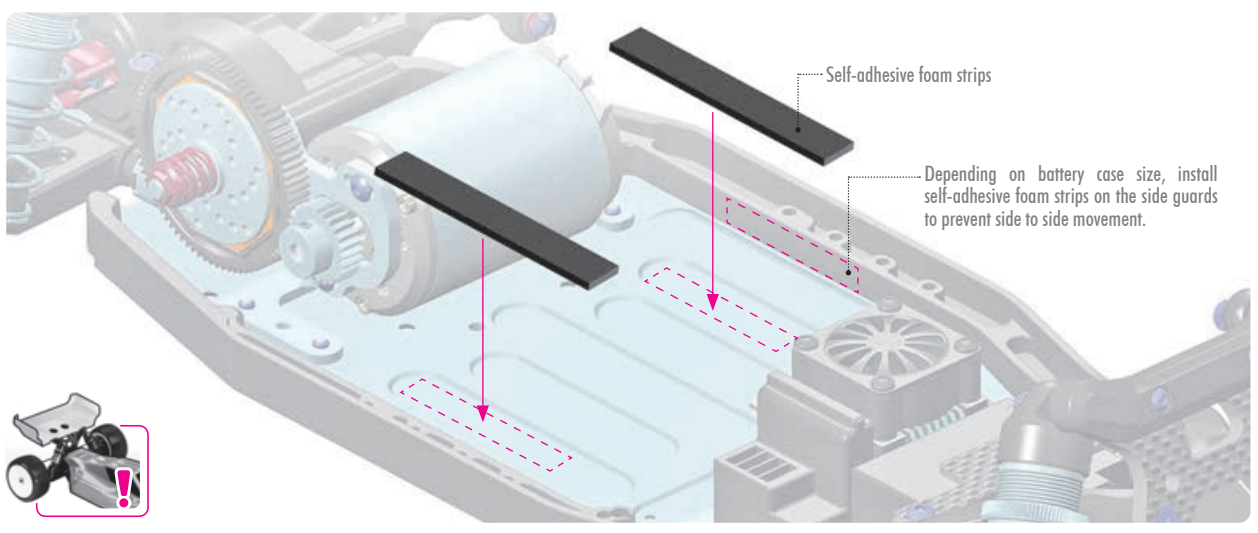
REAR



INITIAL SETTING

DOT FRONT ORIENTATION

FRONT

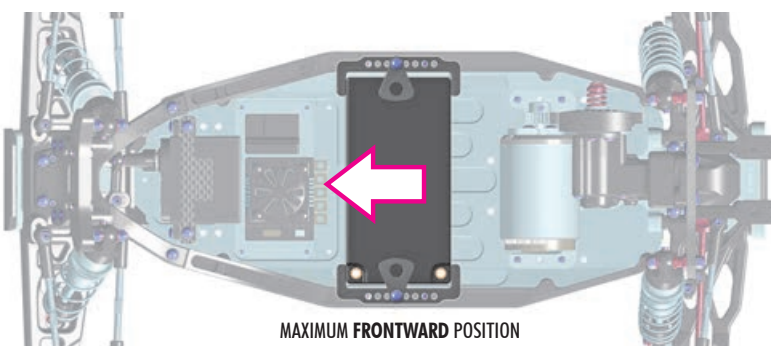
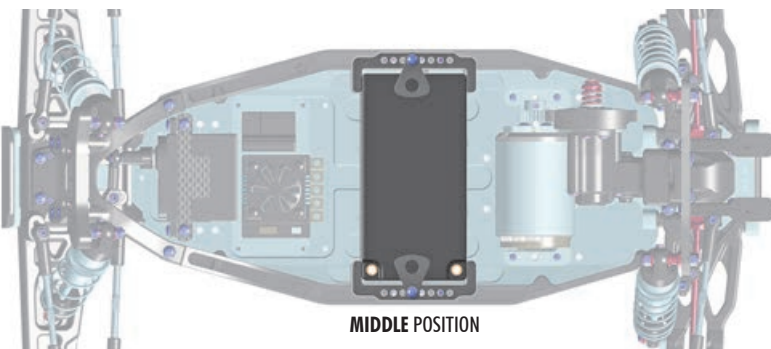
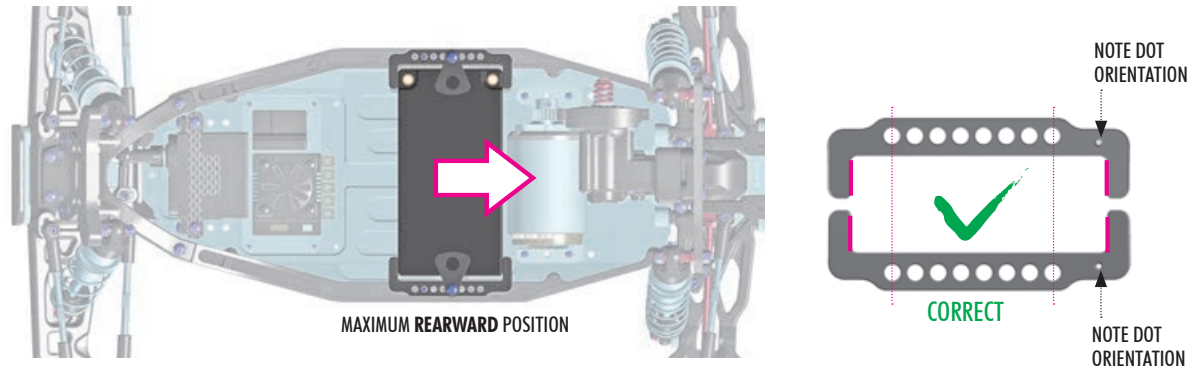
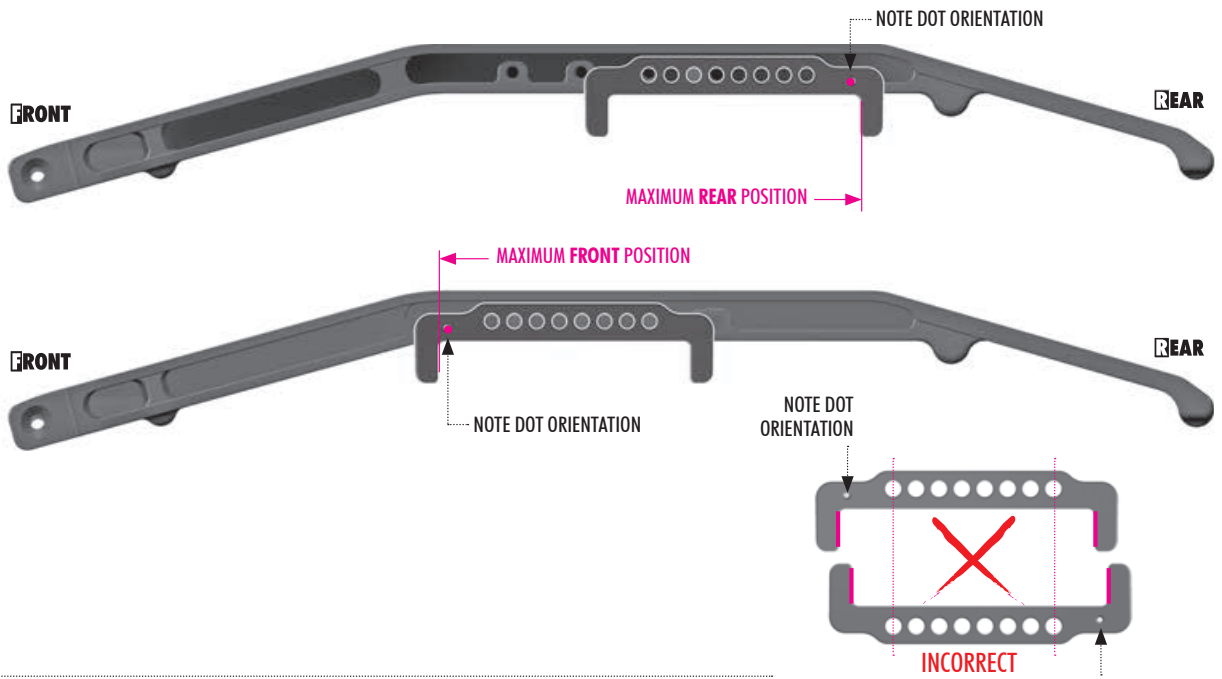




# 7. FINAL ASSEMBLY



## BATTERY WEIGHT BALANCE ADJUSTMENT



# 7. FINAL ASSEMBLY

## ALTERNATIVE 1

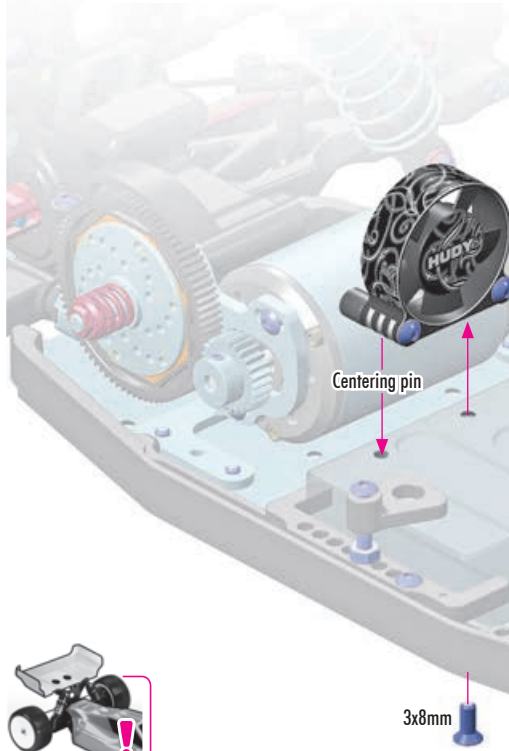
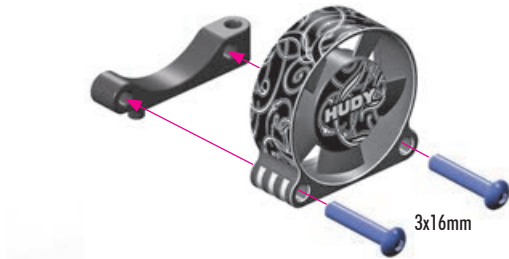
FAN ASSEMBLY BETWEEN BATTERY & MOTOR




2x 902316  
SH M3x16



1x 903308  
SFH M3x8




FAN (NOT INCLUDED)




#293101  
HUDY ALU RC FAN 30MM  
SIDE MOUNT 2 HOLE

**OPTION**



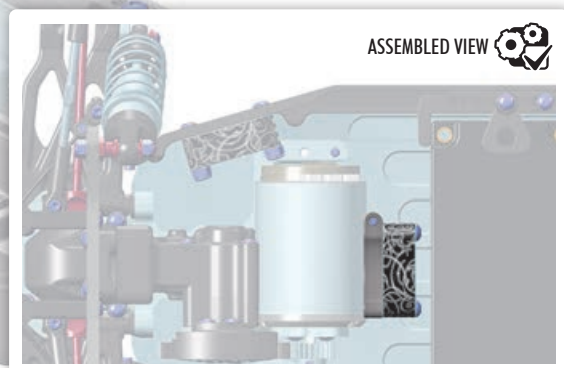
#293112  
HUDY BRUSHLESS RC FAN 30MM  
WITH INTERNAL SOLDERING TABS

**OPTION**



#293110  
HUDY BRUSHLESS RC FAN 30MM  
WITH EXTERNAL SOLDERING TABS

**OPTION**



## ALTERNATIVE 2

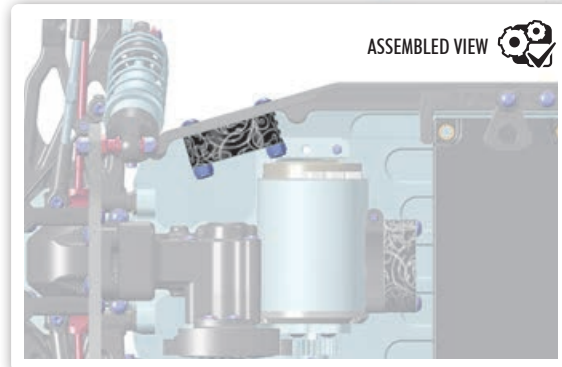
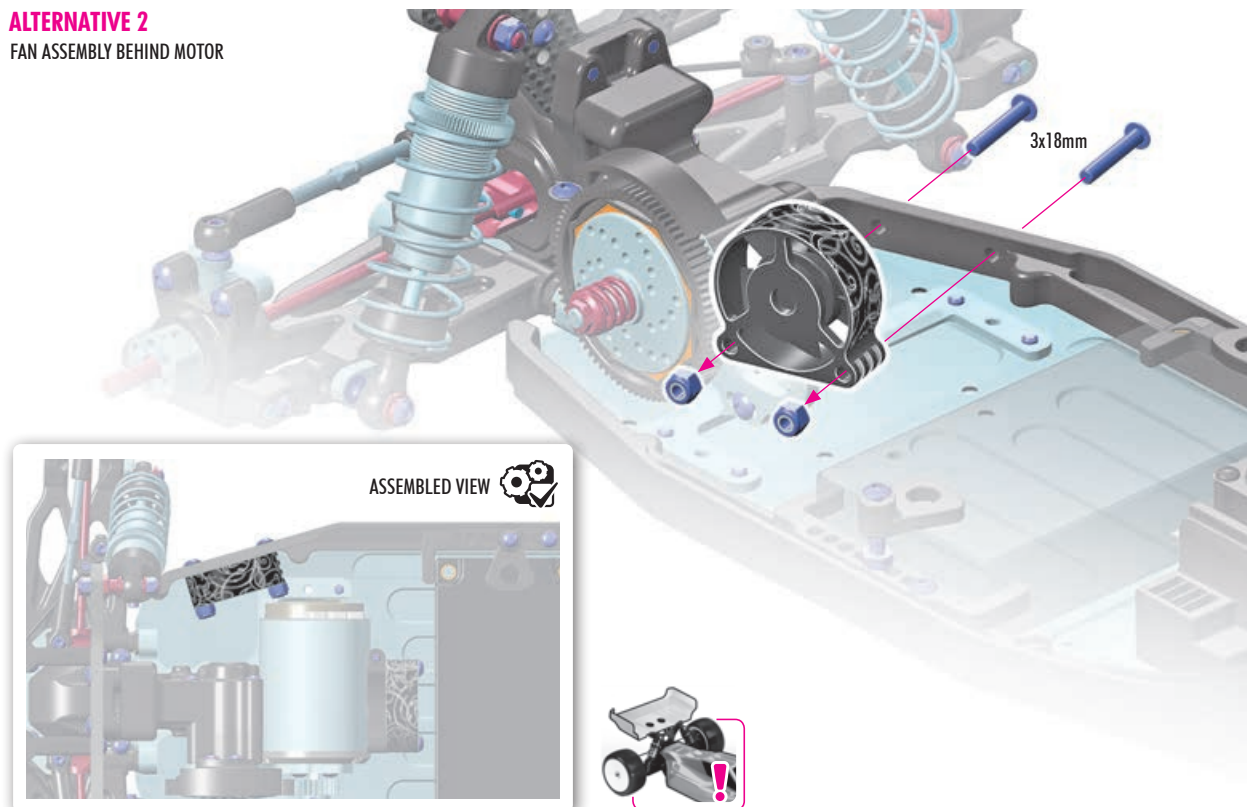
FAN ASSEMBLY BEHIND MOTOR



2x 902318  
SH M3x18



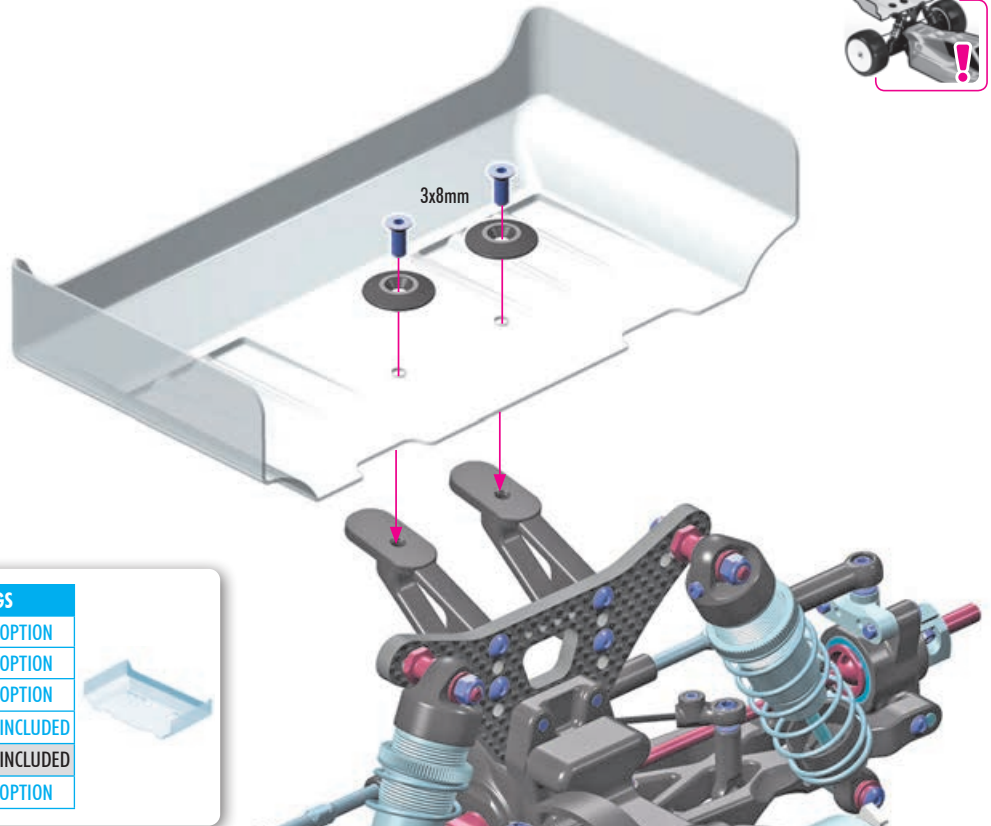
2x 960030  
NUT M3



# 7. FINAL ASSEMBLY



2x 903308  
SFH M3x8



### XRAY LEXAN REAR WINGS

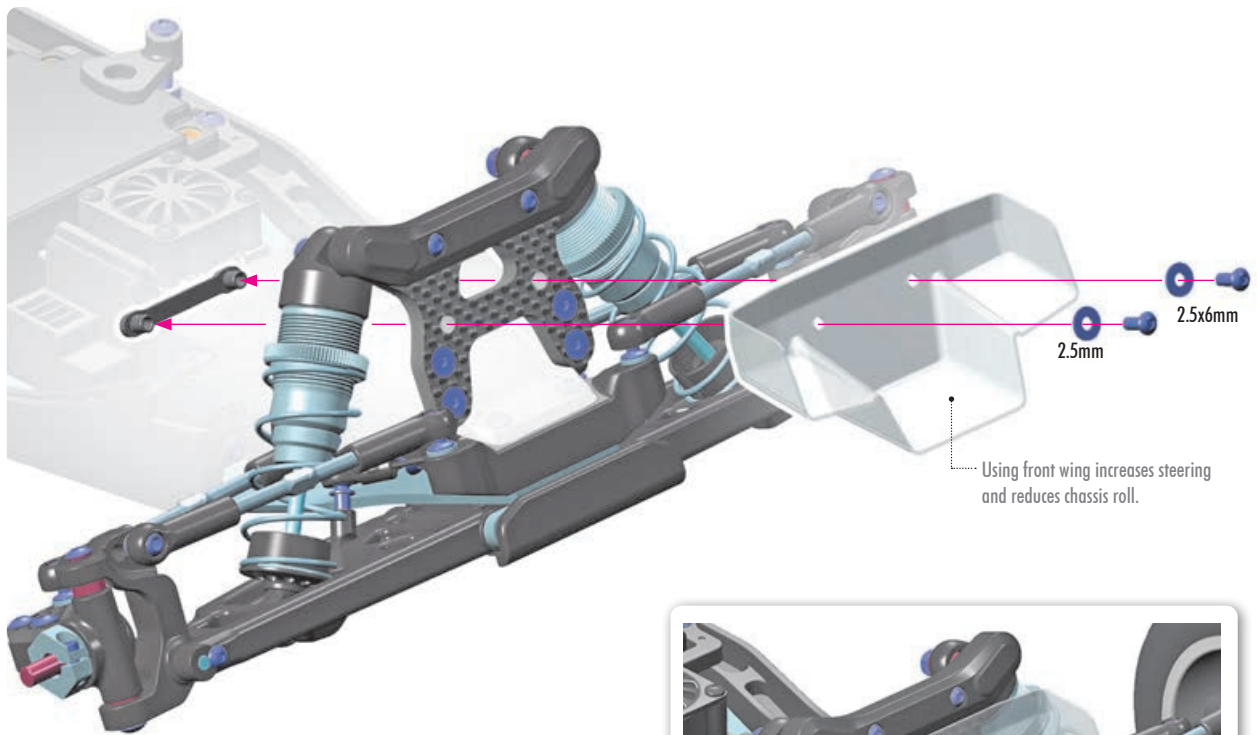
OPTION	#323510	THIN		OPTION
	#323511	THICK		OPTION
	#323513	THIN	RANK	OPTION
	#323517	THIN	TEC	INCLUDED
	#323522	THIN	LUSH	INCLUDED
	#323523	THICK	LUSH	OPTION



2x 902256  
SH M2.5x6



2x 961025  
S2.5

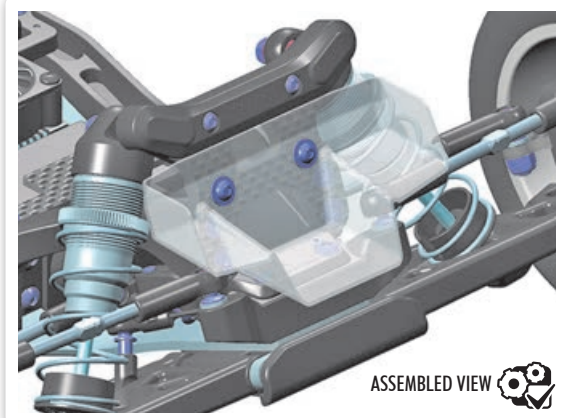
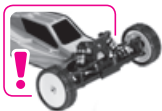


Using front wing increases steering and reduces chassis roll.



### XRAY LEXAN FRONT WINGS

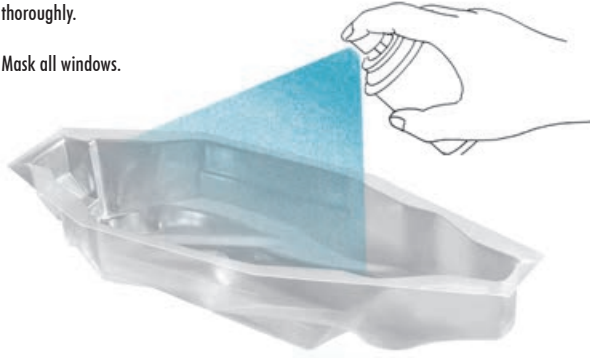
OPTION	#323518	WIDE		OPTION
	#323519	WIDE-RIBBED		INCLUDED



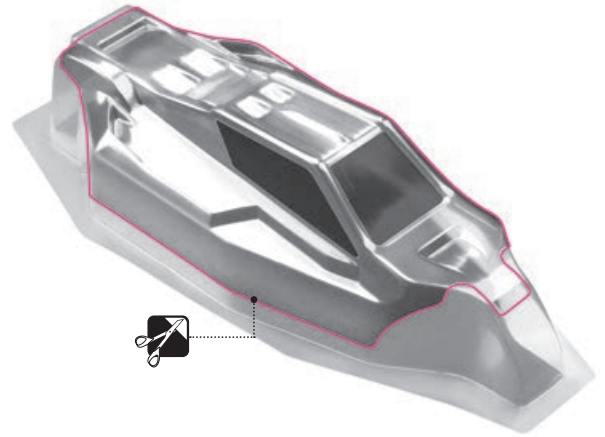
ASSEMBLED VIEW

# 7. FINAL ASSEMBLY

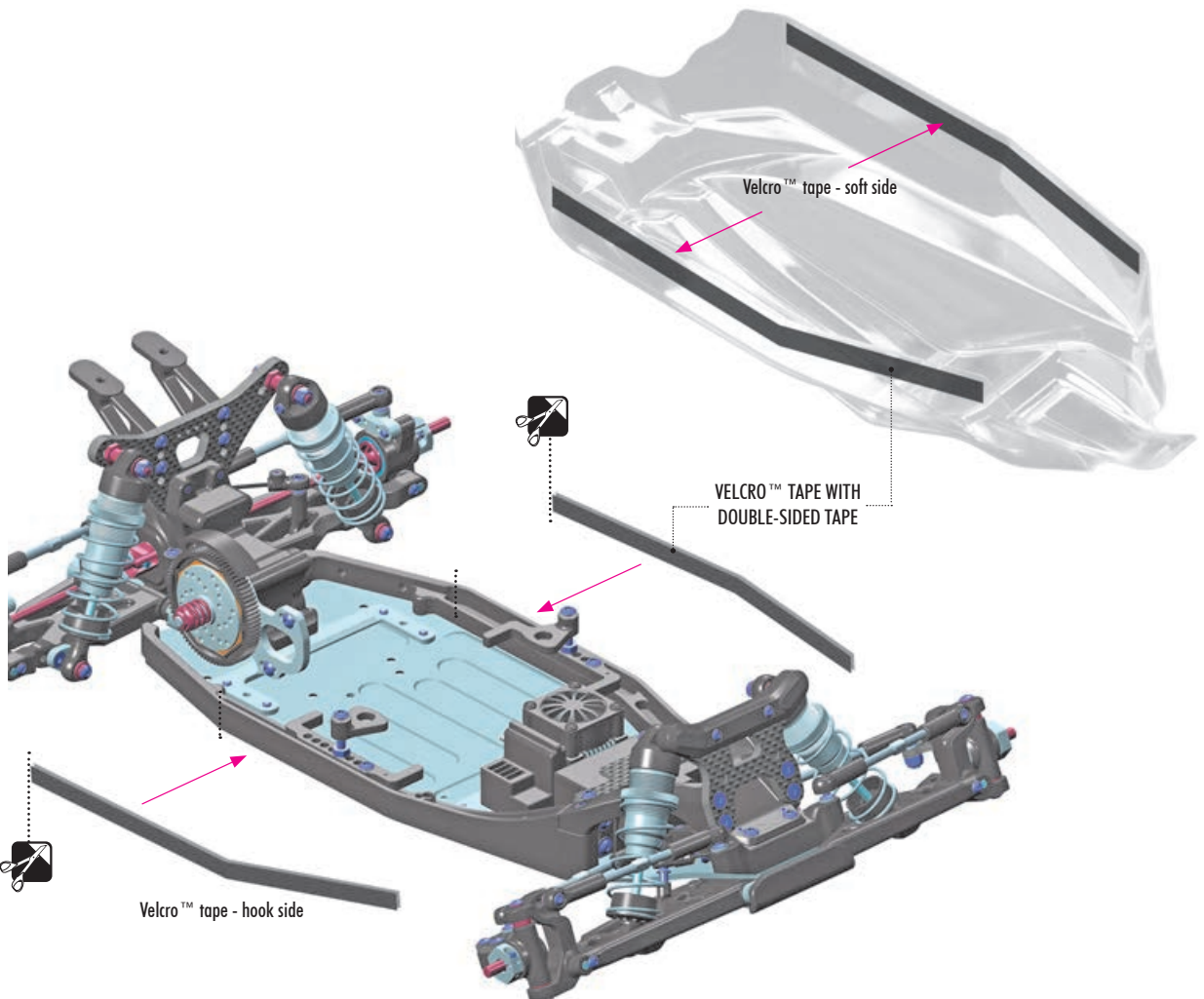
- ❶ Before cutting and making holes on the BODY, put the unpainted body on the chassis to confirm the mounting position and location for holes and cutouts. Before cutting and making holes on the WING, put the unpainted wing on the wing holders to confirm the mounting position and location for holes and cutouts.
- ❷ Before painting, wash the inside of the body with mild detergent, and then rinse and dry thoroughly.
- ❸ Mask all windows.



- ❹ Apply paint masks as appropriate.
- ❺ Paint the body using paints formulated for polycarbonate bodies.
- ❻ When the paint is dry, remove the masking.
- ❼ Carefully cut out the body using appropriate scissors or cutting tools.
- ❽ When you have finished cutting, peel off the external protective films.



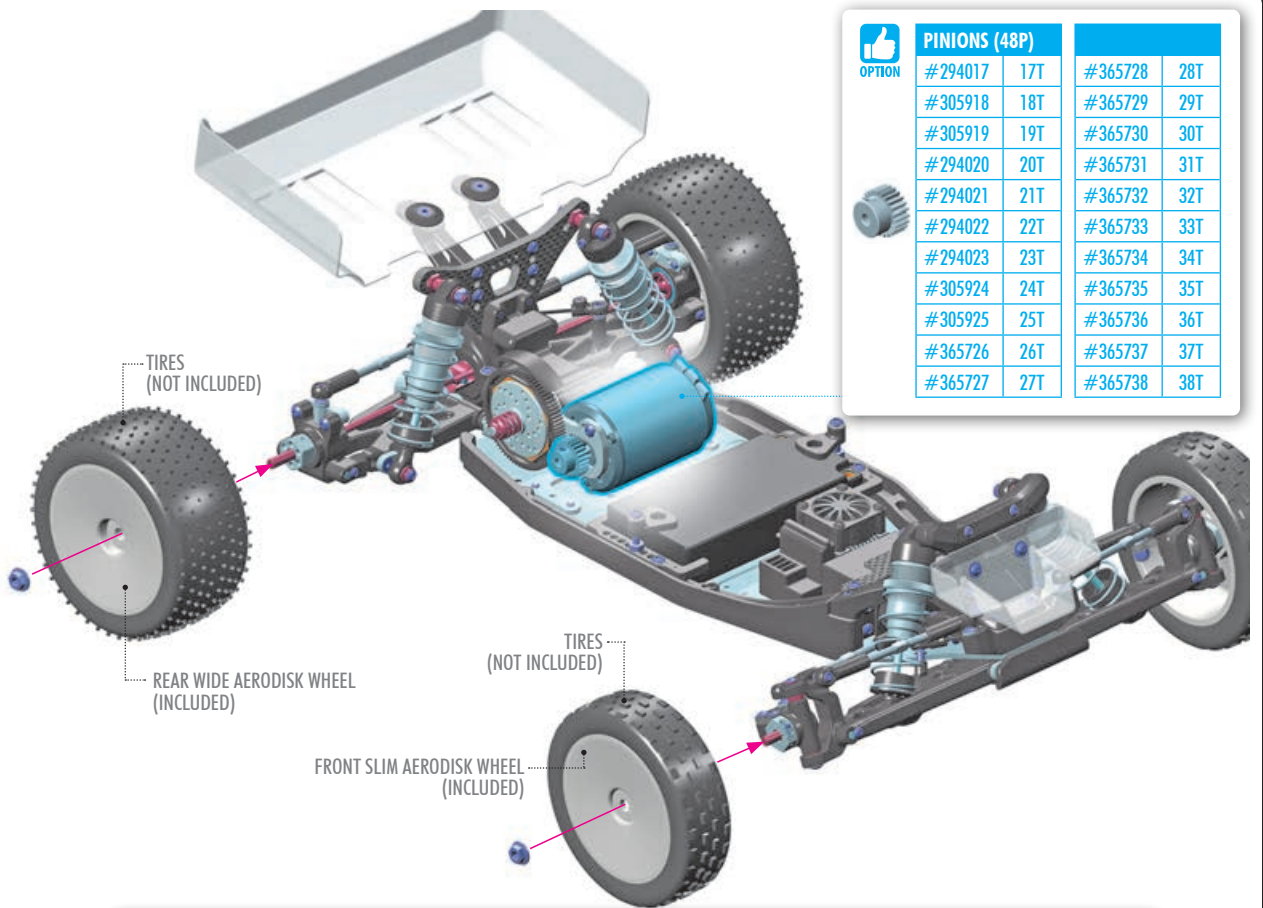
XRAY LEXAN BODY				
OPTION	#329719	THIN	EPSILON 2DL	OPTION
	#329718	THICK	PSILON 2D	OPTION
	#329720	THICK	EPSILON 2C	OPTION
	#329721	THIN	EPSILON 2CL	INCLUDED



# 7. FINAL ASSEMBLY



4x 960240  
N M4



### PINIONS (48P)

#294017	17T	#365728	28T
#305918	18T	#365729	29T
#305919	19T	#365730	30T
#294020	20T	#365731	31T
#294021	21T	#365732	32T
#294022	22T	#365733	33T
#294023	23T	#365734	34T
#305924	24T	#365735	35T
#305925	25T	#365736	36T
#365726	26T	#365737	37T
#365727	27T	#365738	38T



### XRAY FRONT AERODISK WHEELS

#329900-M	MEDIUM	WHITE	10pcs	OPTION
#329900-H	HARD	WHITE	10pcs	OPTION
#329900-Y	HARD	YELLOW	10pcs	OPTION
#329904-M	MEDIUM	SLIM WHITE	10pcs	OPTION
#329904-Y	MEDIUM	SLIM YELLOW	10pcs	OPTION



### XRAY FRONT AERODISK WHEELS

#329910-M	MEDIUM	WHITE	2pcs	OPTION
#329910-H	HARD	WHITE	2pcs	OPTION
#329910-Y	HARD	YELLOW	2pcs	OPTION
#329914-M	MEDIUM	SLIM WHITE	2pcs	INCLUDED
#329914-Y	MEDIUM	SLIM YELLOW	2pcs	OPTION



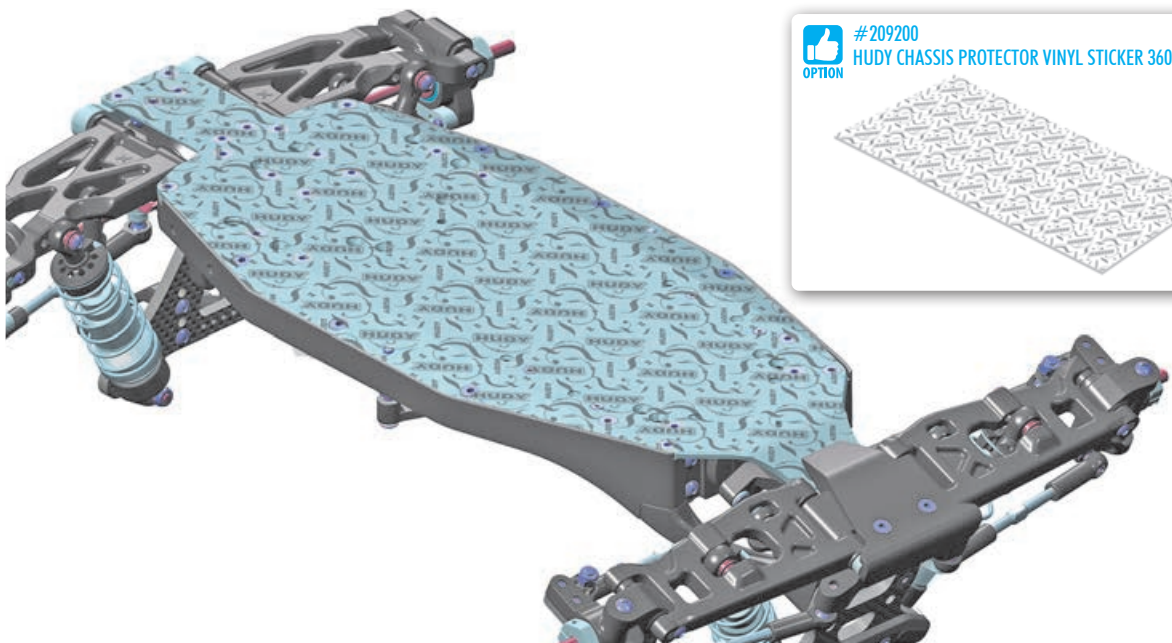
### XRAY REAR AERODISK WHEELS

#329901-H	HARD	WHITE	10pcs	OPTION
#329901-Y	HARD	YELLOW	10pcs	OPTION



### XRAY REAR AERODISK WHEELS

#329913-H	HARD	WHITE	2pcs	INCLUDED
#329913-Y	HARD	YELLOW	2pcs	OPTION



#209200  
HUDY CHASSIS PROTECTOR VINYL STICKER 360x125mm



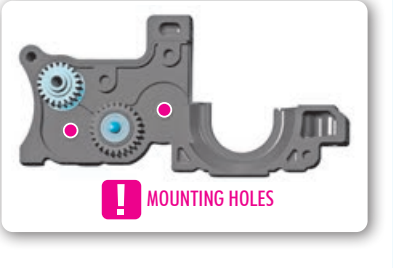
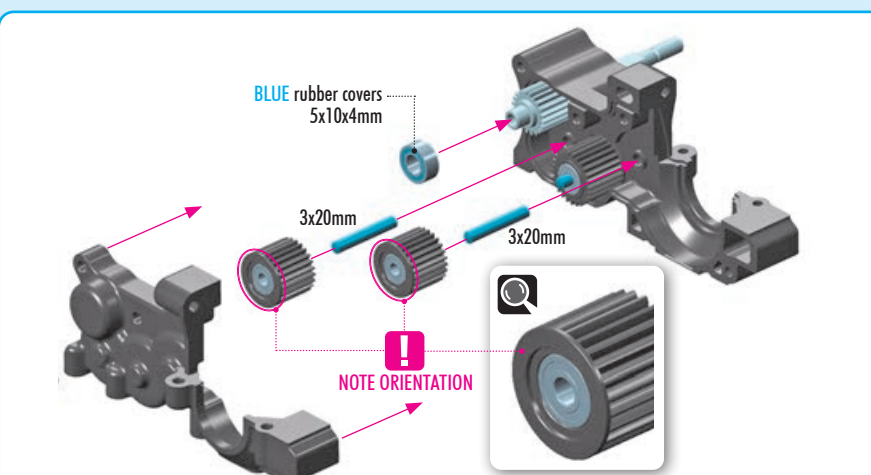
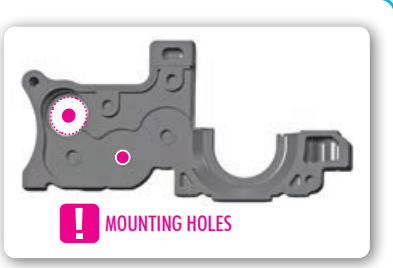
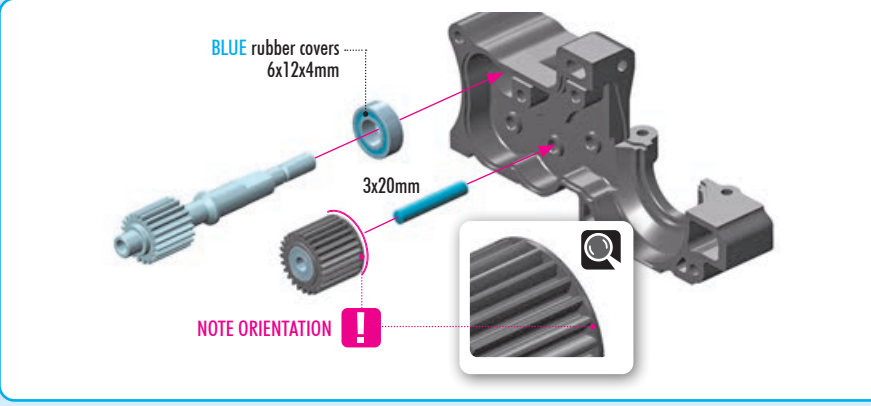
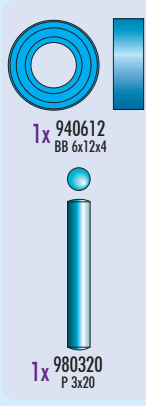
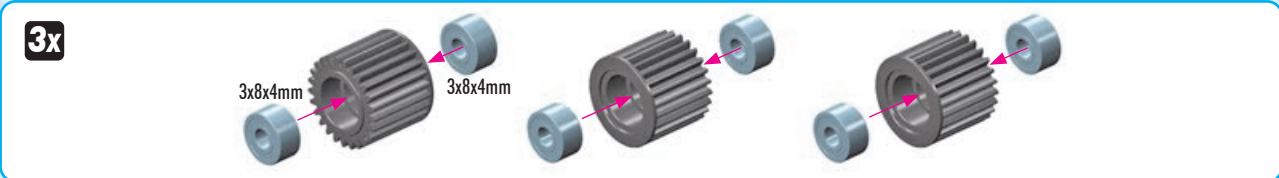
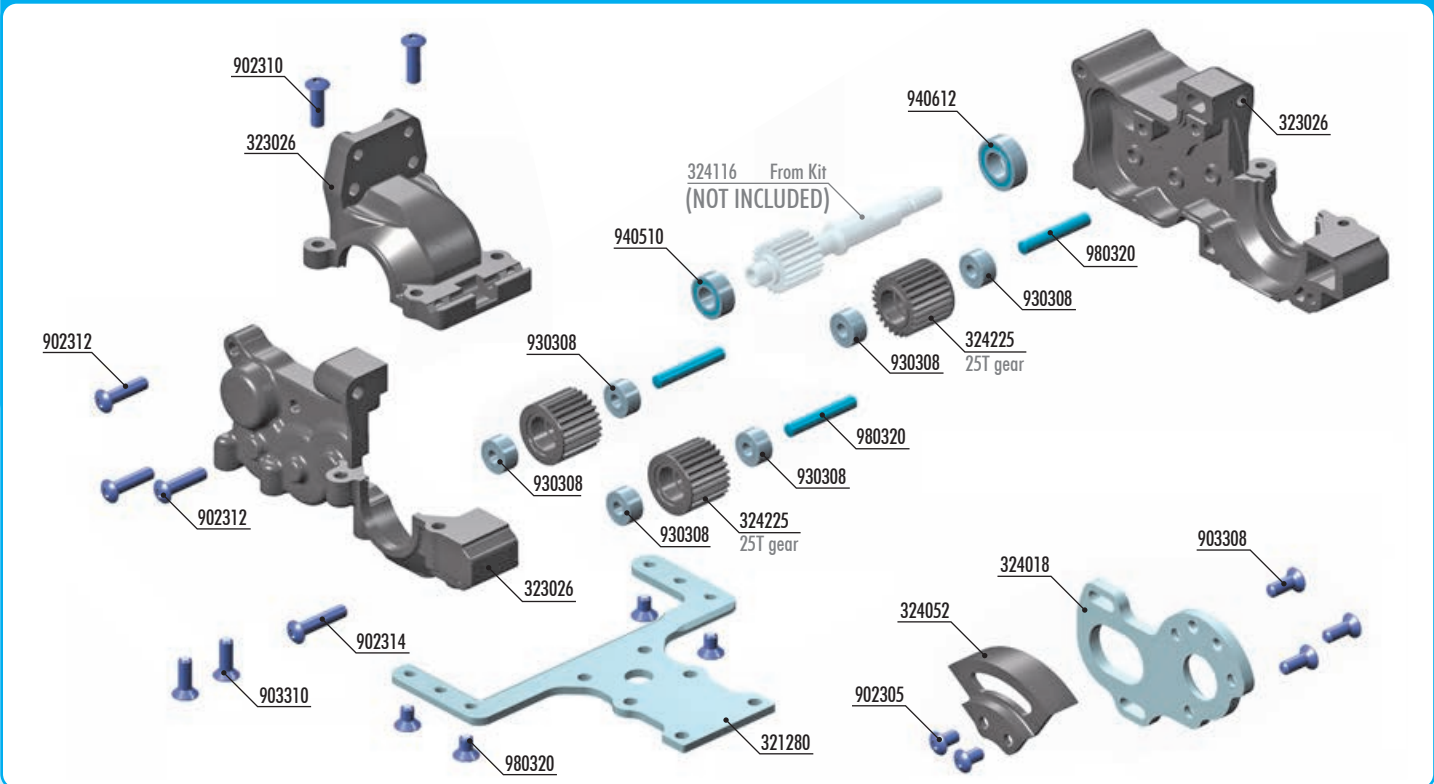
# OPTION PARTS

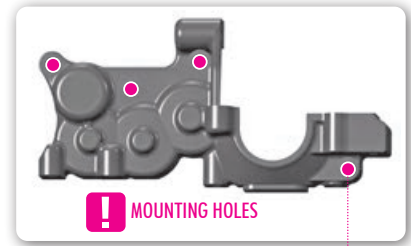
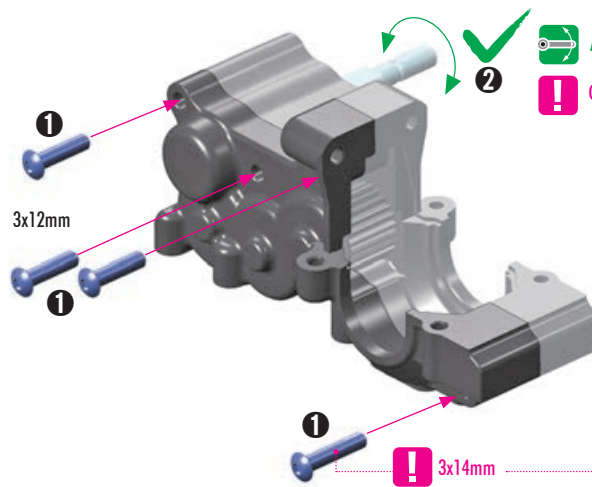
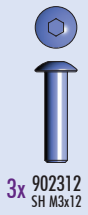
(NOT INCLUDED)



#320905

XB2 5G GEAR BOX CONVERSION SET





! Next follow the 5G Gear Box assembly instructions following these pages and steps:

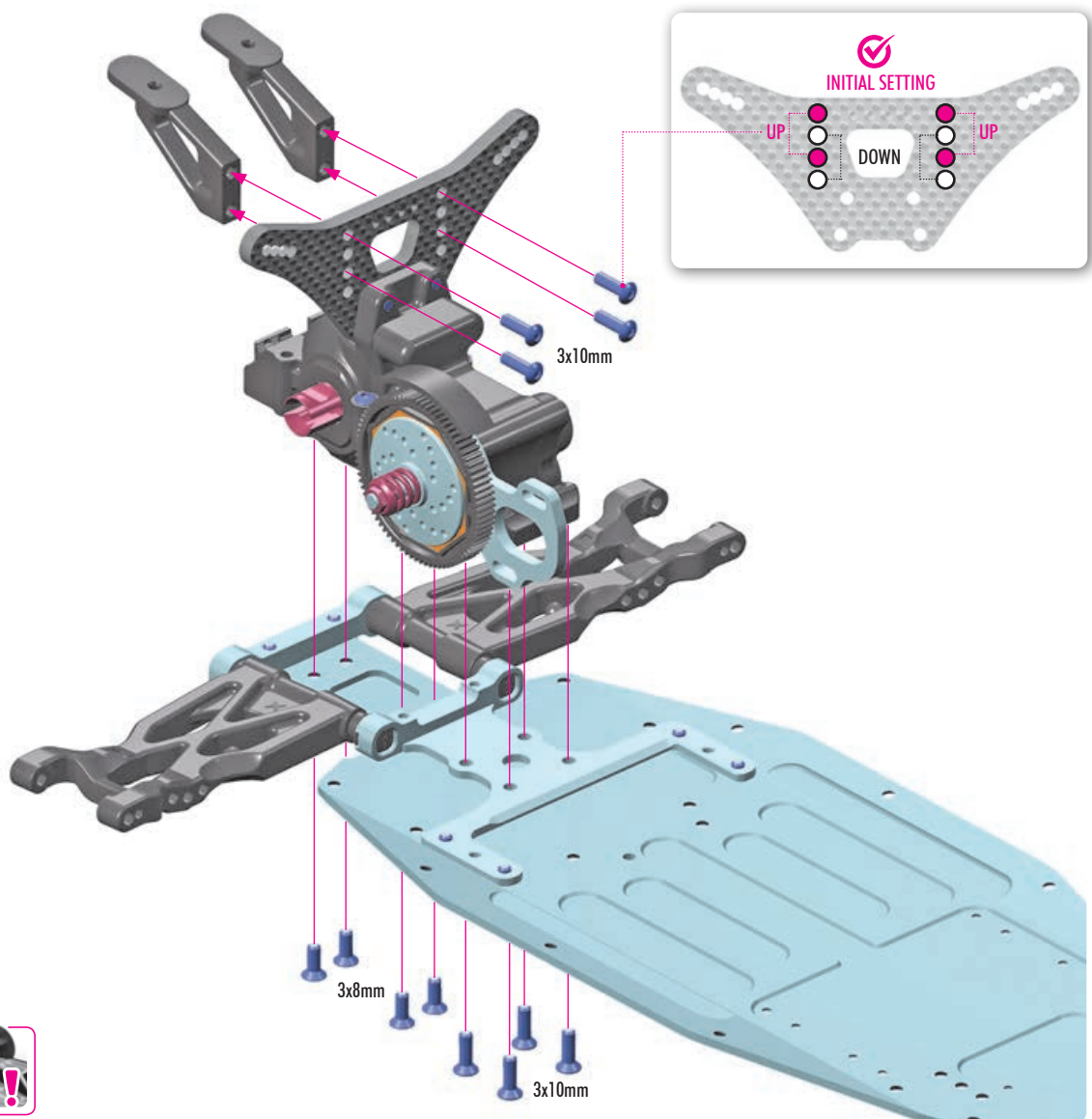
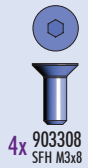
Page 11 / step 1 + step 2

Page 12 / step 1 + step 2 + step 3

Page 14 / step 1

Page 15 / step 1 + step 2

! Some of the screws must be used from the kit.



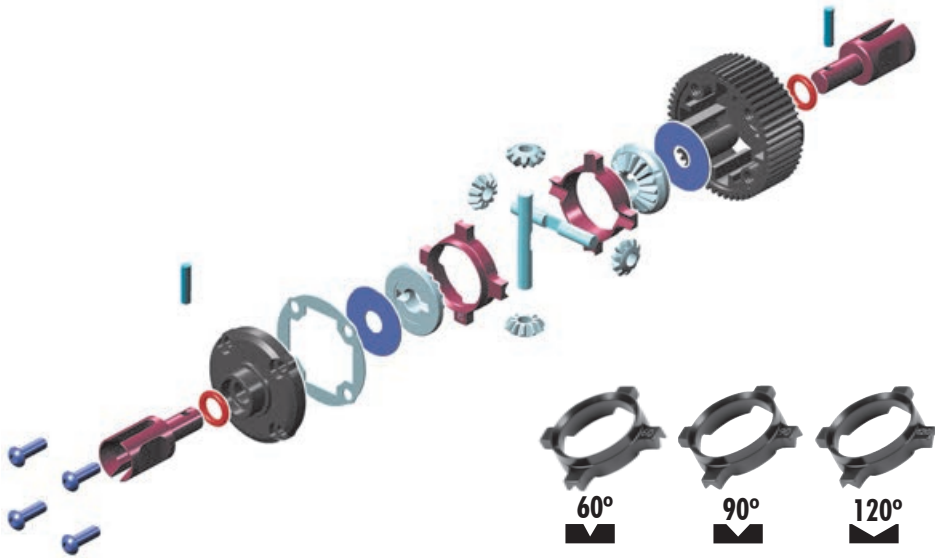
# OPTION PARTS

(NOT INCLUDED)



#325101

XRAY XB2 ACTIVE DIFF - NARROW - SET



ACTIVE DIFF ON - AND OFF-POWER ACTION	
ACTION	EFFECT
OFF-POWER	The Active Diff behaves the same as a standard gear differential. Adjustments are made using different viscosities of silicone oils; thinner oils resulting in more off-power steering with a more aggressive feel.
ON-POWER	The main advantage of the Active Diff is felt on-power. The diff action become heavier when throttle is applied, increasing forward drive and stability upon corner exit.

	ACTIVE DIFF SEGMENTS	LOCK ON-POWER	TRACK CONDITIONS
#325123	60° OPTION		LOW
#325125	90° OPTION		MEDIUM
#325127	120° INCLUDED		HIGH



#335080 STEEL DIFFERENTIAL PIN HARDCOATED (2)



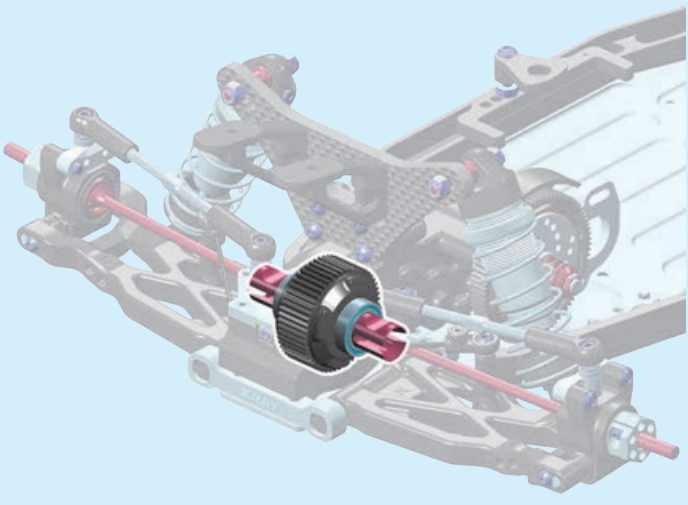
#335081 ALU DIFFERENTIAL PIN HARDCOATED (2)



#304932 GRAPHITE GEAR DIFF BEVEL & SATELLITE GEARS (2+4)

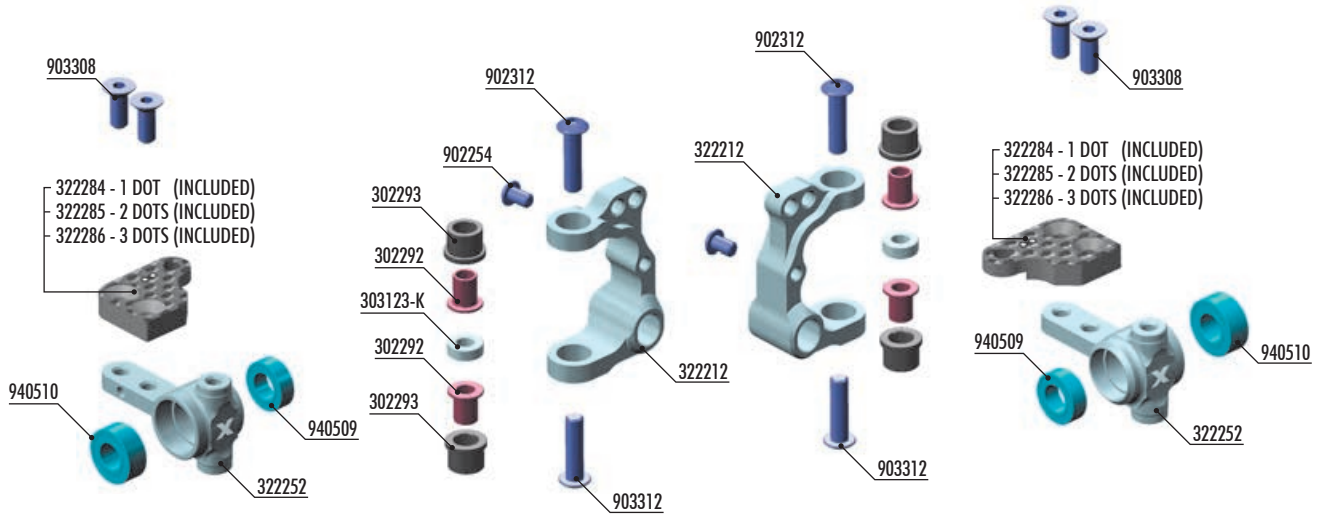


GEAR DIFF. CASES		
#324912	HARD	INCLUDED
#324912-G	GRAPHITE	OPTION
GEAR DIFF. PULLEYS		
#324955	HARD	INCLUDED
#324955-G	GRAPHITE	OPTION



#320904

ALU STEERING BLOCKS & C-HUBS WITH BACKSTOP - SET





2x 303123-K SHIM 3x6x2

2x 902254 SH M2.5x4

4x 902312 SH M3x12

4x 903308 SH M3x6

2x 940509 BB 5x9x3

2x 940510 BB 5x10x4

**2x**

**INITIAL SETTING**  
2 Dots

**ASSEMBLED VIEW**

**!** It is NOT possible to combine aluminum blocks & c-hubs with composite ones.

**!**

2x 902254 SH M2.5x4

2x 306219 SHIM 3x6x1

2x 306219 SHIM 3x6x2

From KIT

Caster Eccentric Bushings from KIT

1mm

From KIT

2mm

**2x**

**!**

2x 902254 SH M2.5x4

**APPLY THREAD LOCK**

**!**

STEERING ANGLE SCREW 2.5x4mm must be used ONLY with 3 Dots steering plate.

The steering may LOCK when the steering angle screw is NOT used.

Steering angle of the **INSIDE** wheel.

3 Dots

**INITIAL SETTING**

2 Dots

1 Dot

2 Dots

3 Dots

1 Dot

Steering angle of the **OUTSIDE** wheel.

EXCLUSIVE PROFESSIONAL

# HUDY

108601 - Grey

108603 - Dark Gray

108602 - Silver Gray

108604 - Titan

108605 - Black

199183

104004

107701

106000 + 106036

109801

181090

107740

107742

181030

293100

293101

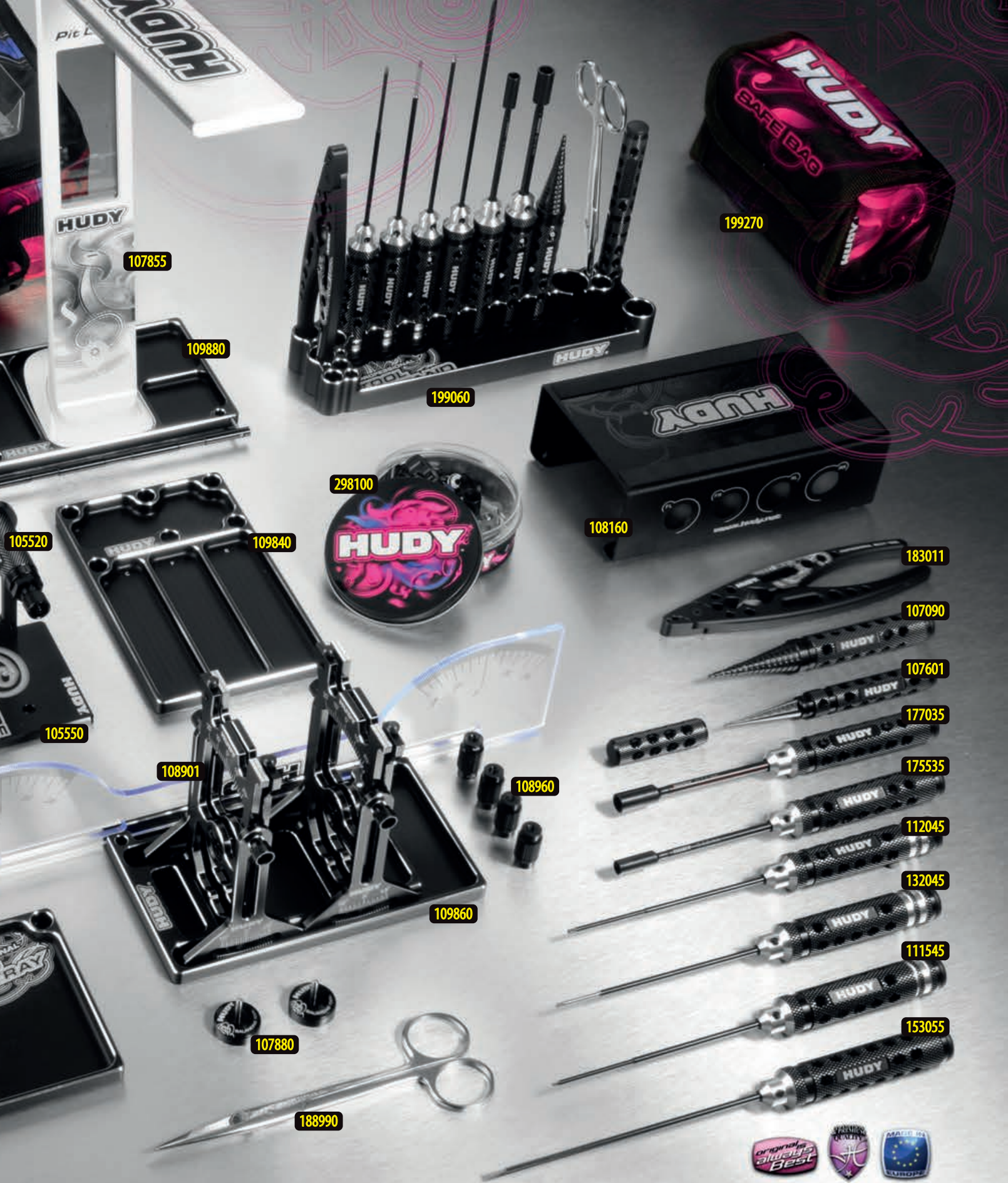
293110

293112

108190

- 104004 HUDY AIR VAC - VACUUM PUMP - 1/10 OFF-ROAD
- 105500 HUDY UNIVERSAL TIRE BALANCING STATION
- 105520 WHEEL ADAPTER FOR 1/10 TOURING CARS - 12MM
- 106000 HUDY DRIVE PIN REPLACEMENT TOOL (FOR 3MM PINS)
- 106036 EJECTOR PIVOT PIN & ALTERNATING PIVOT 2.5MM FOR #106000
- 107090 HUDY BEARING CHECKING TOOL
- 107601 LIMITED EDITION - REAMER FOR BODY 0-9MM + COVER - SMALL
- 107701 CHASSIS DROOP GAUGE SUPPORT BLOCKS 20MM FOR 1/8 - LW(2)
- 107740 HUDY ADJUSTABLE RIDE HEIGHT GAUGE 14-20MM
- 107742 HUDY ADJUSTABLE RIDE HEIGHT GAUGE 20-30MM
- 107855 HUDY PIT LED
- 107880 CHASSIS BALANCING TOOL (2)

- 108160 HUDY 1/10 OFF-ROAD CAR STAND - V2
- 108190 HUDY ALU TRAY FOR PARTS
- 108601 FLAT SET-UP BOARD FOR 1/10 OFF-ROAD - LIGHTWEIGHT - GREY
- 108602 FLAT SET-UP BOARD FOR 1/10 OFF-ROAD - LIGHTWEIGHT - SILVER GRAY
- 108603 FLAT SET-UP BOARD FOR 1/10 OFF-ROAD - LIGHTWEIGHT - DARK GREY
- 108604 FLAT SET-UP BOARD FOR 1/10 OFF-ROAD - LIGHTWEIGHT - TITAN
- 108605 FLAT SET-UP BOARD FOR 1/10 OFF-ROAD - LIGHTWEIGHT - BLACK
- 108901 HUDY SET-UP STATION FOR 1/10 OFF-ROAD CARS
- 108960 ALU NUT FOR 1/10 OFF-ROAD SET-UP SYSTEM (4)
- 109801 HUDY ALU TRAY FOR 1/10 OFF-ROAD DIFF & SHOCKS
- 109840 HUDY ALU TRAY FOR 1/10 OFF-ROAD DIFF ASSEMBLY
- 109860 HUDY ALU TRAY FOR SET-UP SYSTEM



109880 HUDY ALU TRAY FOR ACCESSORIES & PIT LED  
 111545 LIMITED EDITION - ALLEN WRENCH # 1.5MM  
 112045 LIMITED EDITION - ALLEN WRENCH # 2.0MM  
 132045 LIMITED EDITION - ALLEN WRENCH + BALL REPL. TIP # 2.0MM  
 153055 LIMITED EDITION - SLOTTED SCREWDRIVER # 3.0MM - LONG  
 175535 LIMITED EDITION - SOCKET DRIVER # 5.5MM  
 177035 LIMITED EDITION - SOCKET DRIVER # 7.0MM  
 181030 HUDY SPRING STEEL TURNBUCKLE WRENCH 3 MM  
 181090 HUDY SPECIAL TOOL FOR TURNBUCKLES & NUTS  
 183011 HUDY PROFESSIONAL MULTI TOOL

188990 HUDY PROFESSIONAL BODY SCISSORS  
 199060 HUDY ALU TOOL STAND  
 199183 HUDY CAR BAG - 1/10 OFF-ROAD  
 199270 HUDY LIPO SAFETY BAG  
 298100 HUDY TIN ROUND BOX 80X30MM  
 293100 HUDY ALU RC FAN 30MM - BOTTOM MOUNT 2 HOLE  
 293101 HUDY ALU RC FAN 30MM - SIDE MOUNT 2 HOLE  
 293110 HUDY BRUSHLESS RC FAN 30MM - WITH EXTERNAL SOLDERING TABS  
 293112 HUDY BRUSHLESS RC FAN 30MM - WITH INTERNAL SOLDERING TABS

For more information about tools, set-up equipment and accessories suitable for your car please visit:

[www.hudy.net](http://www.hudy.net)

[www.teamxray.com](http://www.teamxray.com)

**XRAY EUROPE**

XRAY, K VÝSTAVISKU 6992, 91101 TRENCIN, SLOVAKIA, EUROPE  
PHONE: +421-32-740 11 00, FAX: +421-32-740 11 09, [info@teamxray.com](mailto:info@teamxray.com)

**XRAY USA**

RC AMERICA, 2030 Century Center Blvd #15, Irving, TX 75062, USA  
PHONE: 214-744-2400, FAX: 214-744-2401, [xray@rcamerica.com](mailto:xray@rcamerica.com)



/TeamXray



/TeamXray



/TeamXray



/XrayRacing



/+TeamXrayRC